

Explosionszeichnungen



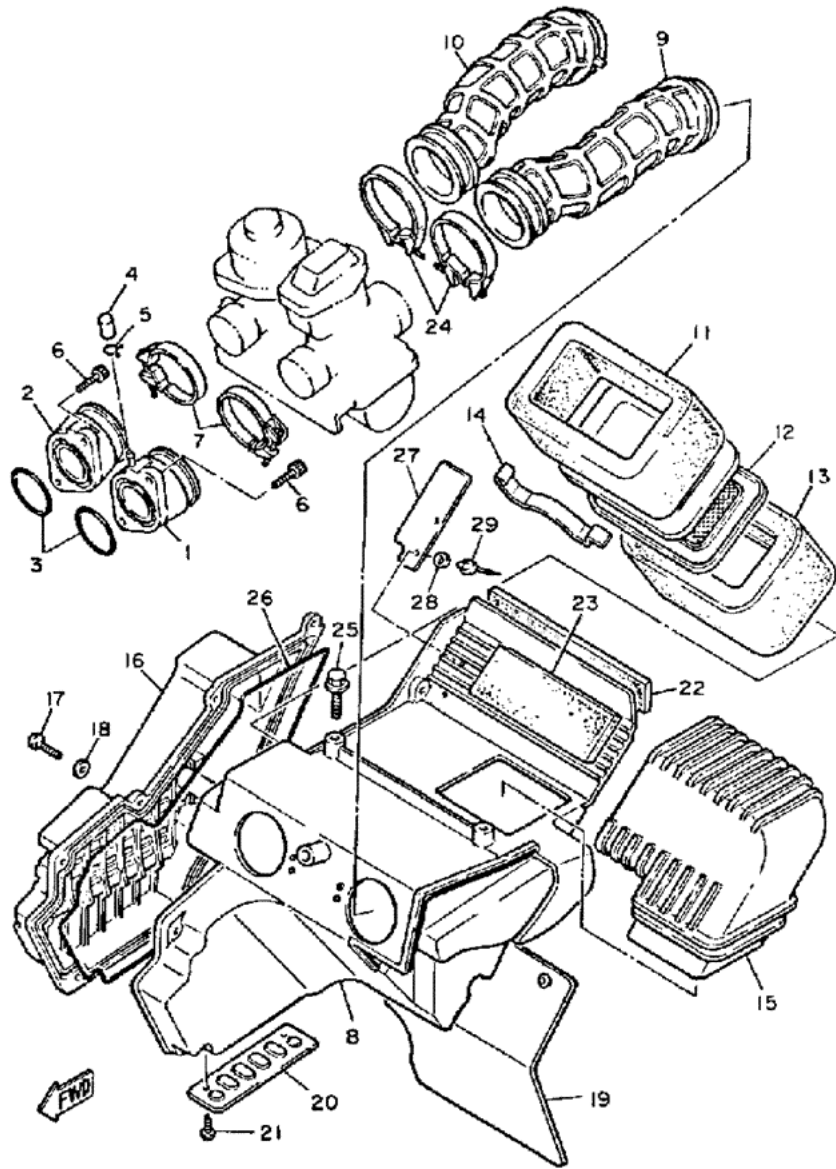
Yamaha XT 600 Bj. 83 - 89

Parts	Page
AIR FILTER	1
CAMSHAFT CHAIN	2
CARBURETOR	3
CARBURETOR 1986 -	5
CLUTCH	7
COWLING 1	8
CRANKCASE	9
CRANKCASE COVER 1	10
CRANKSHAFT PISTON	11
CYLINDER	12
CYLINDER HEAD	13
CYLINDERHEAD 1989 -	14
ELECTRICAL 1	15
ELECTRICAL 2	16
EXHAUST	17
FENDER	18
FRAME	19
FRONT FORK	20
FRONT WHEEL	22
FUEL TANK XT600L - N	23
FUEL TANK XT600LC - NC	24
FUEL TANK XT 600 XC 1986 -	25
GENERATOR	26
HANDLE SWITCH LEVER	27
HANDLEBAR CABLE	28
HEADLIGHT	29
HEADLIGHT 1986 -	30
METER	31
OIL PUMP	32
OIL PUMP 1989 -	33
REAR SHOCKS	34
REAR WHEEL	35
SEAT	36
SHIFT CAM FORK	37
SHIFT SHAFT	38
SIDE COVER OIL TANK	39
STAND FOOTREST	40
STARTER	41
STEERING	42

Parts	Page
SWING ARM	43
TAILLIGHT	45
TRANSMISSION	46
URNSIGNAL	47
VALVE	48

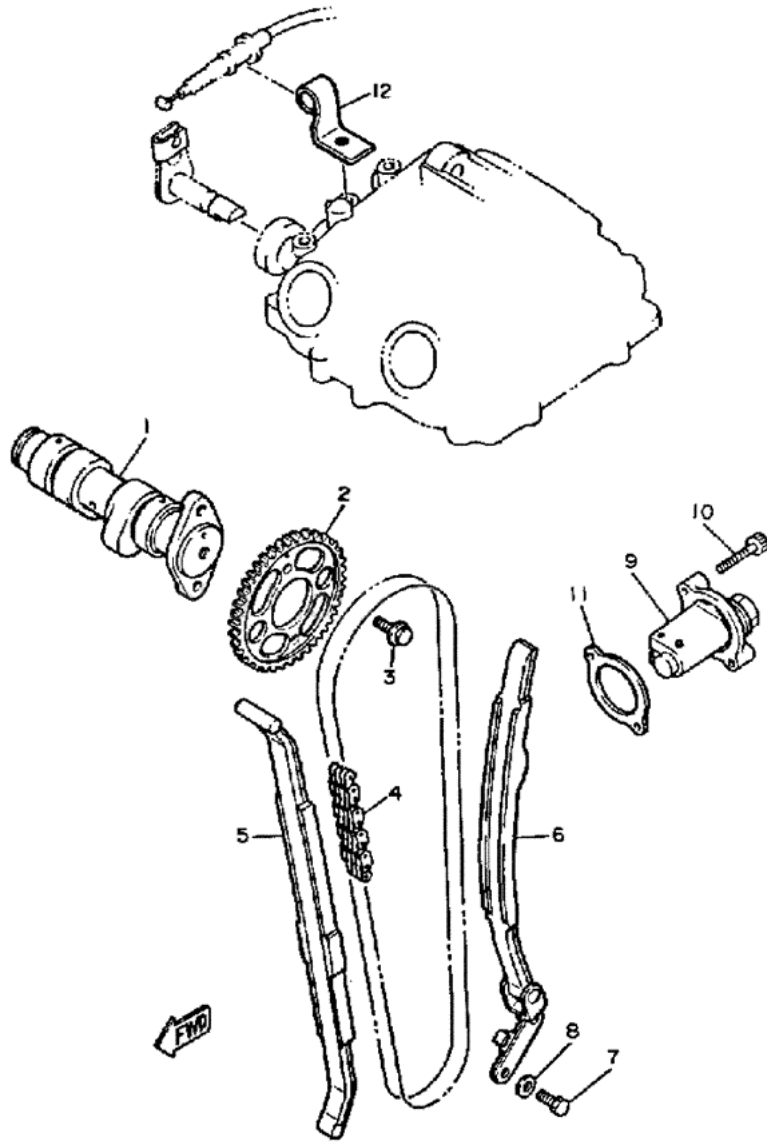
Coverpicture from www.xt600.de
 Drawings Copyright by Yamaha Motor Corp.
 Layout & Pdf creation by Bad Boy

AIR FILTER



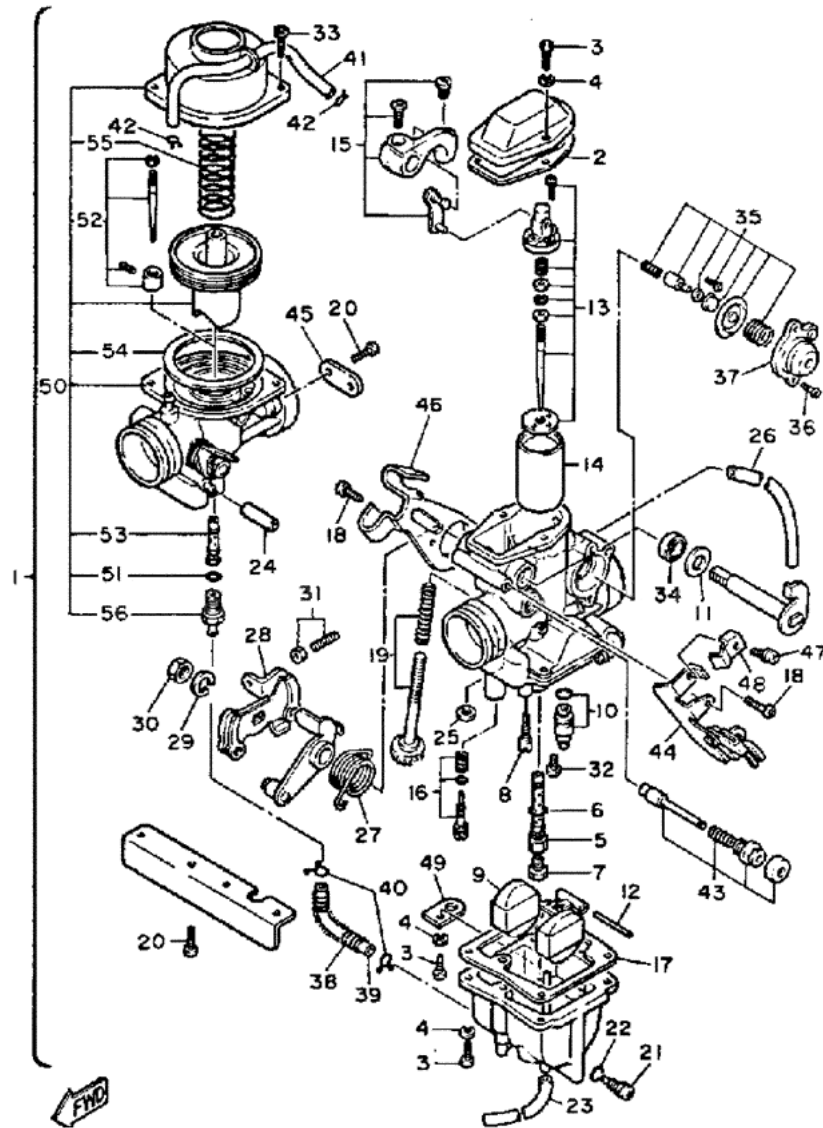
Item	Part #	Description	Req
1	43F-13586-01-00	JOINT, CARBURETOR 1	1
2	43F-13596-01-00	JOINT, CARBURETOR 2	1
3	93210-36549-00	O-RING	2
4	16G-13569-00-00	PLUG, BLIND	1
5	90467-10039-00	CLIP	1
6	91316-06020-00	BOLT	4
7	90460-46206-00	CLAMP, HOSE	2
8	43F-14401-00-00	AIR CLNR CASE ASSY	1
9	43F-14453-00-00	JOINT, AIR CLNR 1	1
10	43F-14454-00-00	JOINT	1
11	34L-14451-00-00	ELEMENT, AIR CLNR	1
12	34L-14458-00-00	GUIDE, ELEMENT	1
13	34L-14461-00-00	ELEMENT, AIR CLNR 2	1
14	2J2-14468-00-00	PLATE, ELEMENT FTNG	1
15	34L-14437-01-00	DUCT	1
16	43F-14412-00-00	CAP, CLEANER CASE 1	1
17	98586-05016-00	SCREW, PAN HEAD	6
18	92906-05600-00	WASHER, PLATE	6
19	34L-21621-00-00	FLAP	1
20	34L-1442F-00-00	PROTECTOR	1
21	97706-40506-00	SCREW, TAPPING	2
22	34L-14426-00-00	DAMPER 2	1
23	34L-14425-00-00	DAMPER AIR SHROUD 2	1
24	90460-51059-00	CLAMP, HOSE	2
25	95811-06012-00	BOLT, FLANGE (95801-06012)	3
26	51Y-14462-00-00	SEAL	1
27	43F-14467-00-00	SEAL	1
28	92990-04200-00	WASHER, PLAIN	2
29	90267-40073-00	RIVET, BLIND	2

CAMSHAFT CHAIN



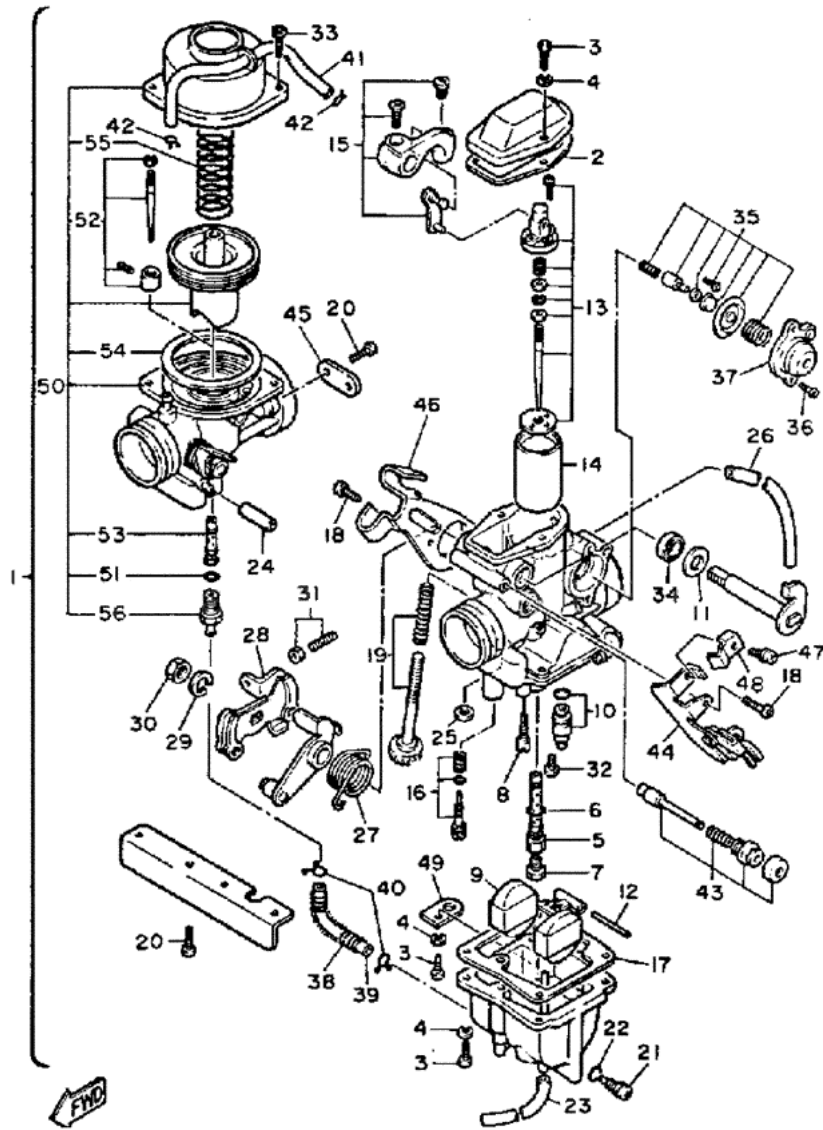
Item	Part #	Description	Req
1	43F-12171-00-00	CAMSHAFT ASSY 1	1
2	34K-12176-00-00	SPROCKET, CAM CHAIN	1
3	90105-07087-00	BOLT, WASHER BASED	2
4	94590-27126-00	CHAIN	1
5	34K-12231-00-00	GUIDE, STOPPER 1	1
6	34K-12241-00-00	GUIDE, STOPPER 2	1
7	97011-06016-00	BOLT	2
8	90201-061A5-00	WASHER, PLATE	2
9	34K-12210-00-00	TENSNR ASSY, CAM CHN	1
10	91316-06025-00	BOLT	2
11	4DW-12213-00-00	GASKET, TENSIONER CASE	1
12	1JK-12283-00-00	BRACKET, DCOMP (5Y1-12283-00)	1

CARBURETOR



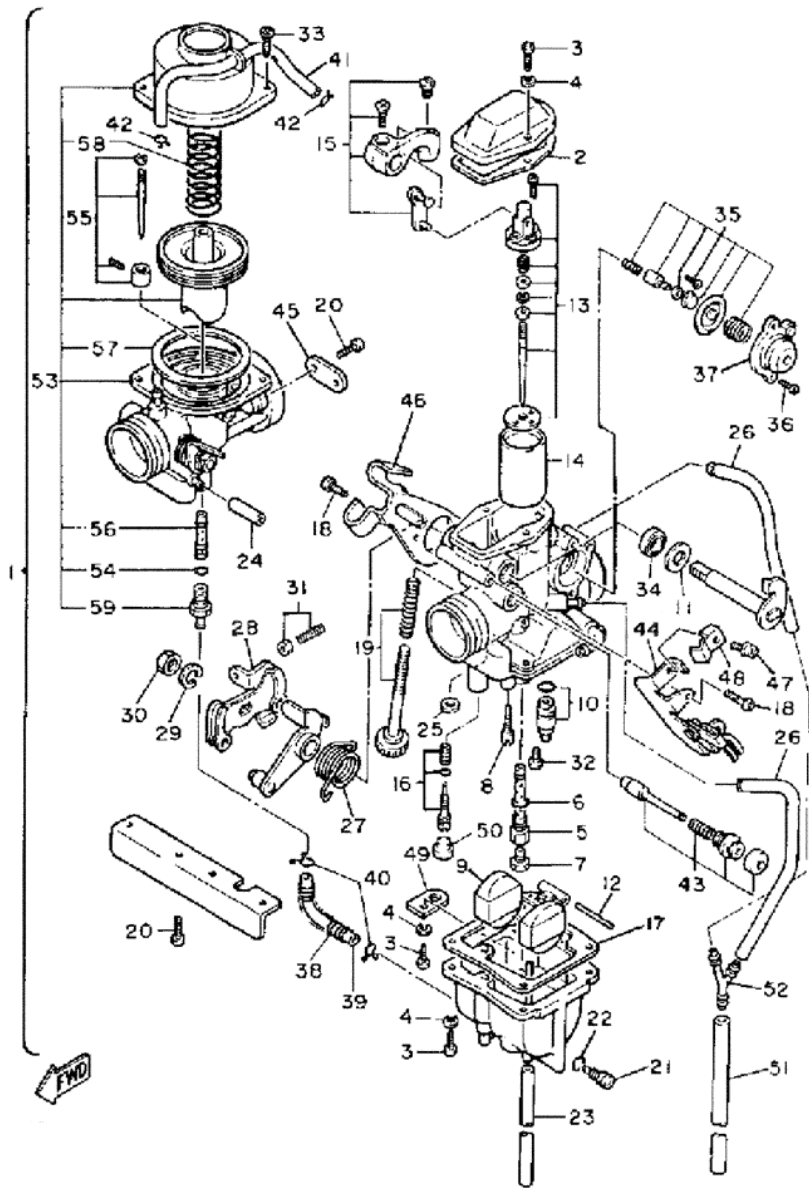
Item	Part #	Description	Req
1	49N-14301-01-00	CARBURETOR ASSY	1
	49R-14301-00-00	CARBURETOR ASSY (600LC/NC)	1
2	5Y1-14198-00-00	GASKET	1
3	98503-04014-00	SCREW, PAN HEAD	6
4	92901-04100-00	WASHER, SPRING	6
5	43F-14341-00-00	NOZZLE, MAIN	1
6	360-24512-00-00	GASKET	1
7	288-14343-65-00	JET, MAIN 130	1
8	43F-14342-23-00	JET, PILOT	1
9	5Y1-14385-00-00	FLOAT	1
10	1JK-14107-01-00	NEEDLE VALVE SET	1
11	5Y1-14357-00-00	WASHER, PLAIN	1
12	6E5-14386-01-00	PIN, FLOAT	1
13	34K-1490J-10-00	NEEDLE SET	1
14	5Y1-14312-55-00	VALVE, THROTTLE 1	1
15	5Y1-14203-00-00	CABLE CONNECT SET	1
16	50M-14105-00-00	PILOT SCREW SET (43F-14105-00)	1
17	5Y1-14384-00-00	GASKET, FLOAT CHAMBER	1
18	98580-04010-00	SCREW, PAN HEAD	3
19	34K-14103-00-00	THROTTLE SCREW SET	1
20	98580-05010-00	SCREW, PAN HEAD	6
21	5Y1-14115-00-00	PLUG, SCREW	1
22	5Y1-14397-00-00	O-RING	1
23	5Y1-14396-00-00	PIPE	1
24	5Y1-14349-00-00	PIPE	1
25	5Y1-14536-00-00	GASKET	1
26	5Y1-14197-00-00	PIPE	1
27	5Y1-14131-00-00	SPRING, THRTL VALVE	1
28	34K-14305-00-00	THROTTLE LVR COMP	1
29	5Y1-14356-00-00	WASHER, SPRING	1
30	5Y1-14358-00-00	NUT	1
31	34K-1490K-00-00	STOP SCREW SET	1
32	98901-04006-00	SCREW, BIND	1
33	98580-04020-00	SCREW, PAN HEAD	2
34	5Y1-14572-00-00	PLATE, STAY	2
35	5Y1-1490A-00-00	DIAPHRAGM SET 1	1
36	98580-04010-00	SCREW, PAN HEAD	2
37	5Y1-14293-01-00	COVER 1	1
38	5Y1-14556-00-00	SPRING	1
39	5Y1-14148-00-00	PIPE	1
40	5Y1-14137-00-00	CLIP	2
41	5Y1-14149-00-00	PIPE	1
42	5Y1-14159-00-00	CLIP	2
43	5Y1-1410A-00-00	STARTER SET	1
44	34L-14905-00-00	LEVER, STARTER	1
45	34K-14146-00-00	PLATE	1
46	34K-14571-00-00	BRACKET, THROTTLE	1
47	677-24444-01-00	SCREW	1

CARBURETOR - 2



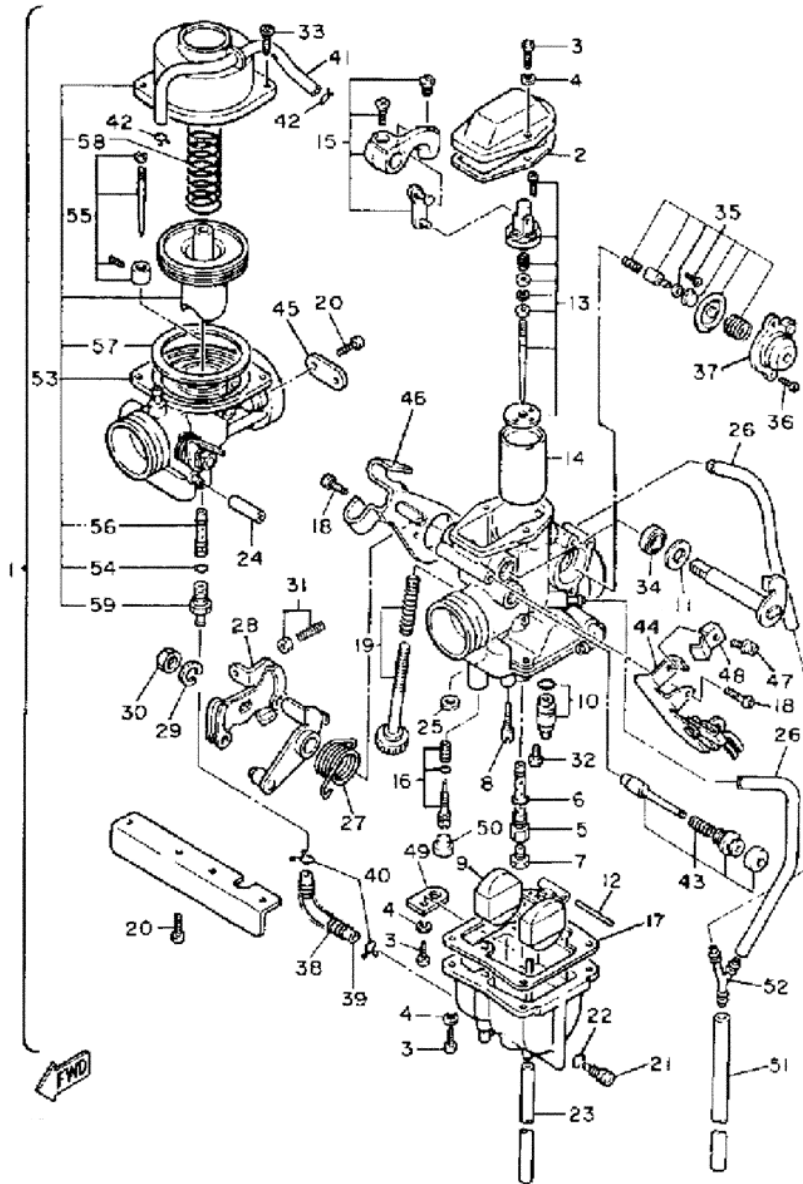
Item	Part #	Description	Req
48	5Y1-14377-00-00	STOPPER	1
49	42U-14146-00-00	PLATE	1
50	43F-14320-00-00	CARB ASSY 2	1
51	360-24512-00-00	GASKET	1
52	43F-1490J-01-00	NEEDLE SET	1
53	5Y1-14355-00-00	NOZZLE, MAIN	1
54	5Y1-14398-00-00	GASKET	1
55	5Y1-14286-00-00	SPRING	1
56	5Y1-14343-63-00	JET, MAIN 125 U.R.	1
	5Y1-14343-65-00	JET, MAIN (130) U.R. STD	1

CARBURETOR 1986 -



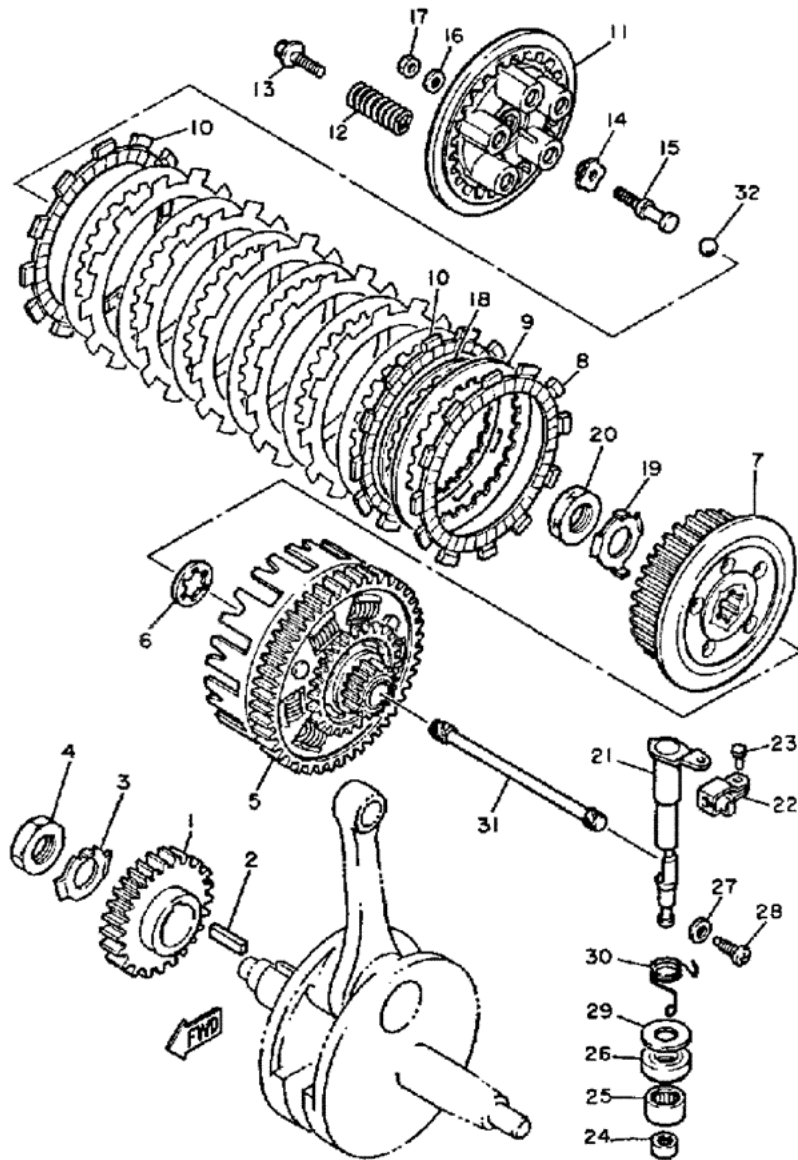
Item	Part #	Description	Req
1	1WN-14301-01-00	CARBURETOR ASSY	1
	49N-14301-01-00	CARBURETOR ASSY 1	1
2	5Y1-14198-00-00	GASKET	1
3	98503-04014-00	SCREW, PAN HEAD	6
4	92901-04600-00	WASHER, PLATE	6
5	43F-14341-00-00	NOZZLE, MAIN	1
6	360-24512-00-00	GASKET	1
7	288-14343-65-00	JET, MAIN #130	1
8	43F-14342-23-00	JET, PILOT	1
9	5Y1-14387-50-00	UNAVAILABLE IN PRICE BOOK	1
10	1JK-14107-01-00	NEEDLE VALVE SET	1
11	5Y1-14357-00-00	WASHER, PLAIN	1
12	6E5-14386-01-00	PIN, FLOAT	1
13	34K-1490J-10-00	NEEDLE SET	1
14	5Y1-14312-55-00	VALVE, THROTTLE 1 U.R.	1
15	5Y1-14203-00-00	CABLE CONNECT SET U.R. CALIF.	1
16	50M-14105-00-00	PILOT SCREW SET (43F-14105-00)	1
17	5Y1-14384-00-00	GASKET, FLOAT CHAMBER	1
18	98580-04010-00	SCREW, PAN HEAD	3
19	34K-14103-00-00	THROTTLE SCREW SET	1
20	98580-05010-00	SCREW, PAN HEAD	6
21	5Y1-14115-00-00	PLUG, SCREW	1
22	5Y1-14397-00-00	O-RING	1
23	1WN-14396-00-00	PIPE U.R. CALIF.	1
	5Y1-14396-00-00	PIPE U.R.	1
24	5Y1-14349-00-00	PIPE	1
25	5Y1-14536-00-00	GASKET	1
26	1WN-14197-00-00	PIPE	2
	5Y1-14197-00-00	PIPE U.R.	2
27	5Y1-14131-00-00	SPRING, THRRTL VALVE	1
28	34K-14305-00-00	THROTTLE LVR COMP	1
29	5Y1-14356-00-00	WASHER, SPRING	1
30	5Y1-14358-00-00	NUT	1
31	34K-1490K-00-00	STOP SCREW SET	1
32	98901-04006-00	SCREW, BIND	1
33	98580-04020-00	SCREW, PAN HEAD	2
34	5Y1-14572-00-00	PLATE, STAY	2
35	5Y1-1490A-00-00	DIAPHRAGM SET 1	1
36	98580-04010-00	SCREW, PAN HEAD	2
37	5Y1-14293-01-00	COVER 1	1
38	5Y1-14556-00-00	SPRING	1
39	5Y1-14148-00-00	PIPE	1
40	5Y1-14137-00-00	CLIP	2
41	5Y1-14149-00-00	PIPE	1
42	5Y1-14159-00-00	CLIP	2
43	5Y1-1410A-00-00	STARTER SET	1
44	34L-14905-00-00	LEVER, STARTER	1
45	34K-14146-00-00	PLATE	1

CARBURETOR 1986 - 2



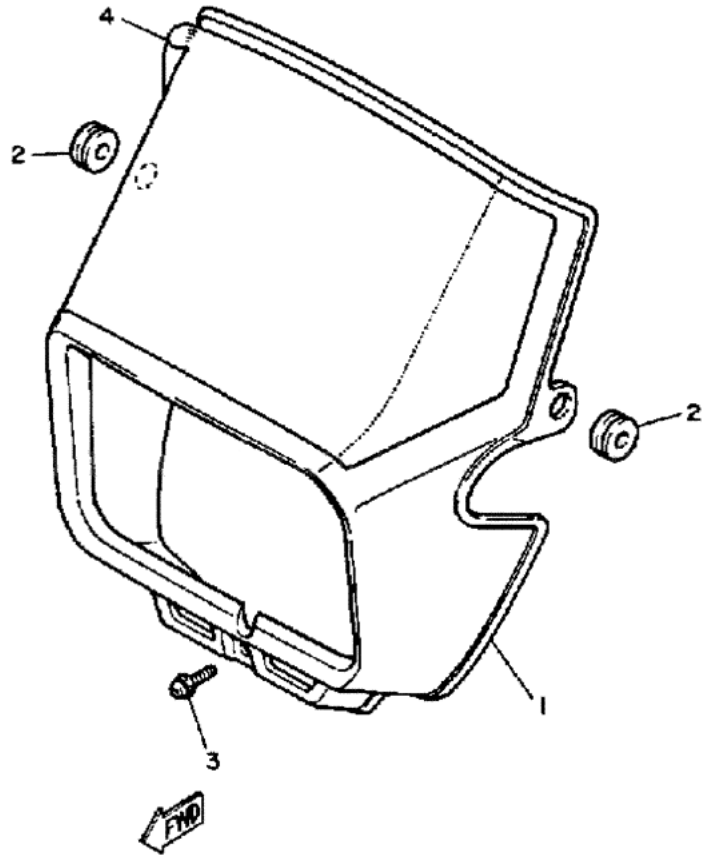
Item	Part #	Description	Req
46	34K-14571-00-00	BRACKET, THROTTLE	1
47	677-24444-01-00	SCREW	1
48	5Y1-14377-00-00	STOPPER	1
49	42U-14146-00-00	PLATE	1
50	5Y1-14118-00-00	CAP	1
51	56R-14196-00-00	PIPE	1
52	90413-05008-00	WAY 3	1
53	49N-14320-00-00	CARB ASSY 2	1
54	360-24512-00-00	GASKET	1
55	43F-1490J-01-00	NEEDLE SET	1
56	5Y1-14355-00-00	NOZZLE, MAIN	1
57	5Y1-14398-00-00	GASKET	1
58	5Y1-14286-00-00	SPRING	1
59	5Y1-14343-63-00	JET, MAIN #125 U.R.	1
	5Y1-14343-65-00	JET, MAIN (#130) U.R. STD	1

CLUTCH



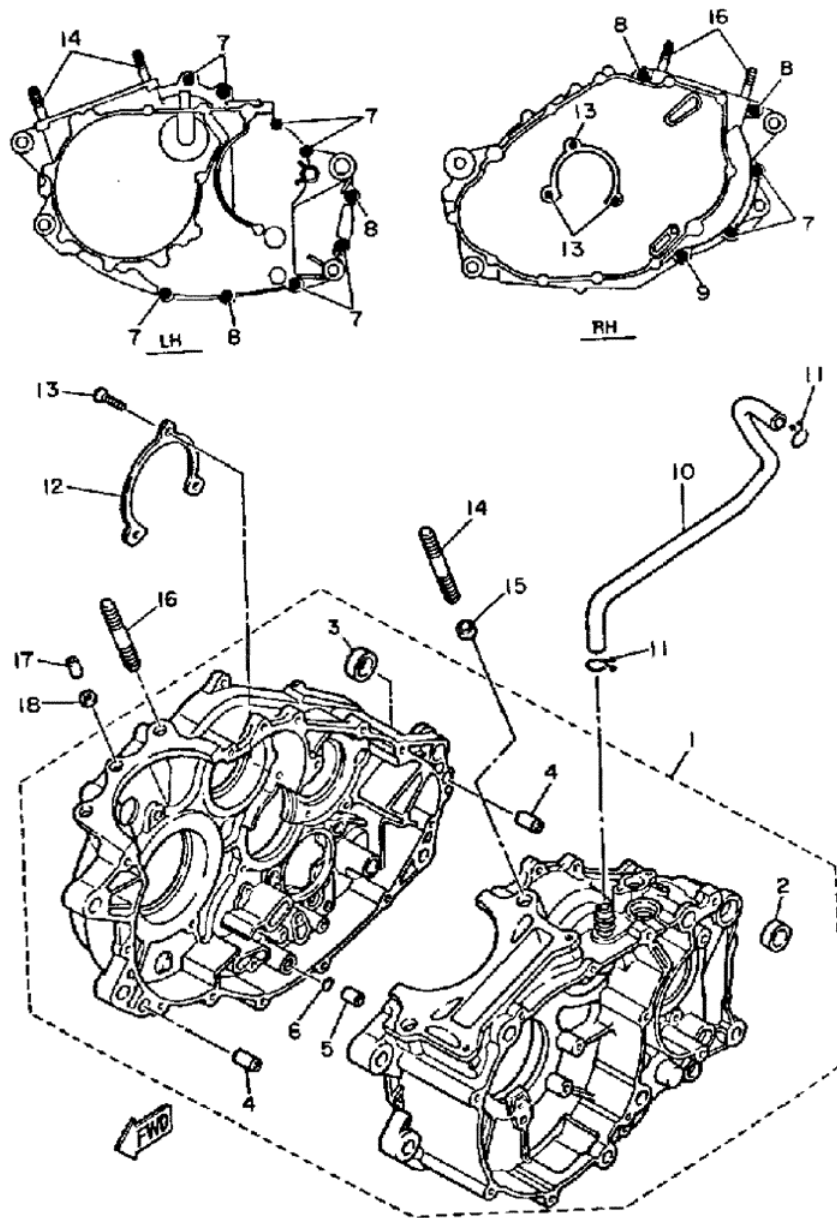
Item	Part #	Description	Req
1	34K-16111-00-00	GEAR, PRI DRIVE	1
2	90282-07042-00	KEY, STRAIGHT	1
3	90215-20197-00	WASHER, LOCK	1
4	90170-20274-00	NUT	1
5	1JK-16150-00-00	PRI DRVN GEAR (34K-16150-00)	1
6	3Y1-16154-00-00	PLATE, THRUST 1	1
7	34K-16371-00-00	BOSS, CLUTCH	1
8	5Y1-16321-00-00	PLATE, FRICTION	6
9	360-16325-00-00	PLATE, CLUTCH 2	7
10	5Y1-16331-01-00	PLATE, FRICTION 2	2
11	5Y1-16351-00-00	PLATE, PRESSURE 1	1
12	90501-26148-00	SPRING, COMPRESSION	5
13	90159-06016-00	SCREW, WITH WASHER	5
14	30X-16358-00-00	PLATE, PUSH	1
15	34K-16356-00-00	ROD, PUSH 1	1
16	92990-06200-00	WASHER, PLAIN	1
17	95380-06600-00	NUT, HEXAGON	1
18	5Y1-16383-00-00	SPRING, CLUTCH BOSS	1
19	90215-20231-00	WASHER, LOCK	1
20	90170-20327-00	NUT	1
21	5Y1-16380-00-00	PUSH LEVER COMP.	1
22	214-16389-00-00	JOINT	1
23	90243-06016-00	PIN	1
24	93317-11020-00	BEARING	1
25	93315-11720-00	BEARING	1
26	93102-17357-00	OIL SEAL	1
27	90201-08087-00	WASHER, PLATE	1
28	90149-08067-00	SCREW	1
29	90201-17327-00	WASHER, PLATE	1
30	90508-14526-00	SPRING, TORSION	1
31	5Y1-16357-00-00	ROD, PUSH 2	1
32	93515-32029-00	BALL	1

COWLING 1



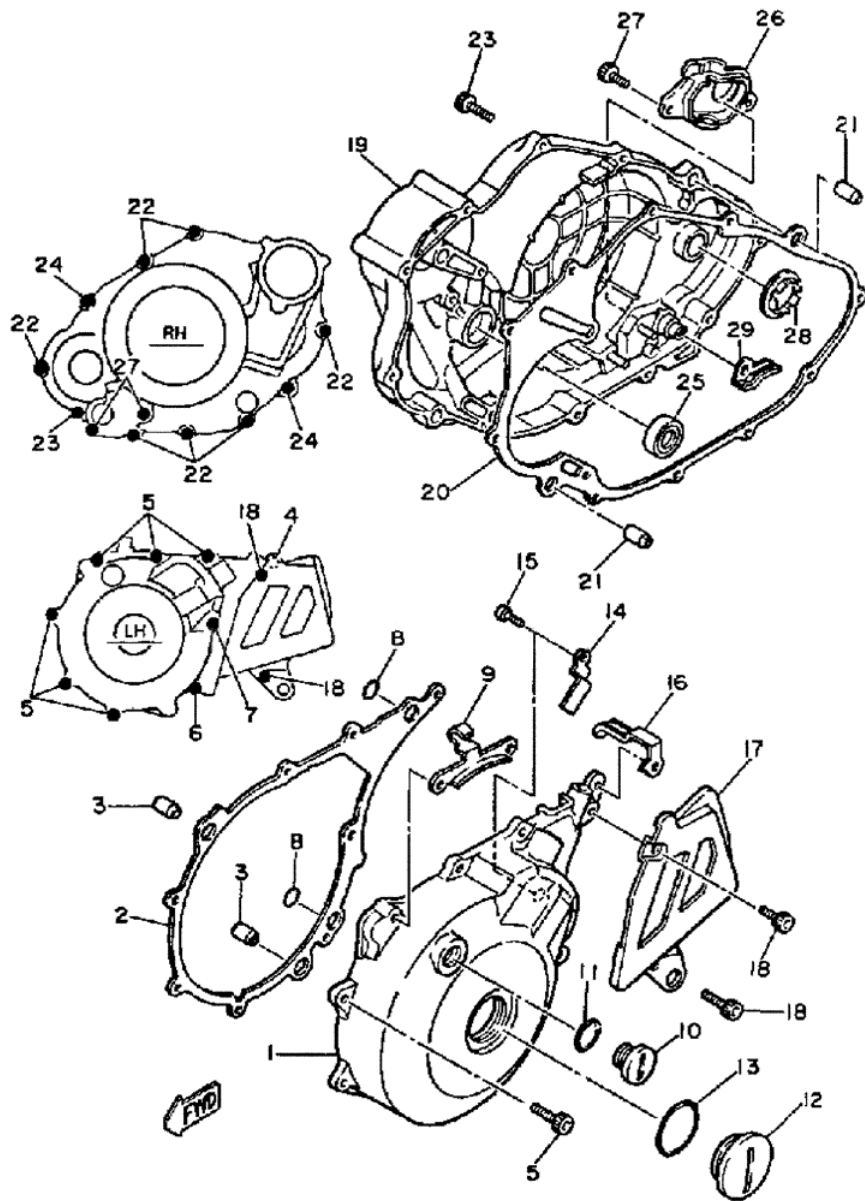
Item	Part #	Description	Req
1	43F-28351-00-00	BODY, COWLING CLEAN WHITE	1
2	90480-12053-00	GROMMET	2
3	90159-06060-00	SCREW, WITH WASHER	1
4	43F-28368-00-00	EMBLEM	1

CRANKCASE



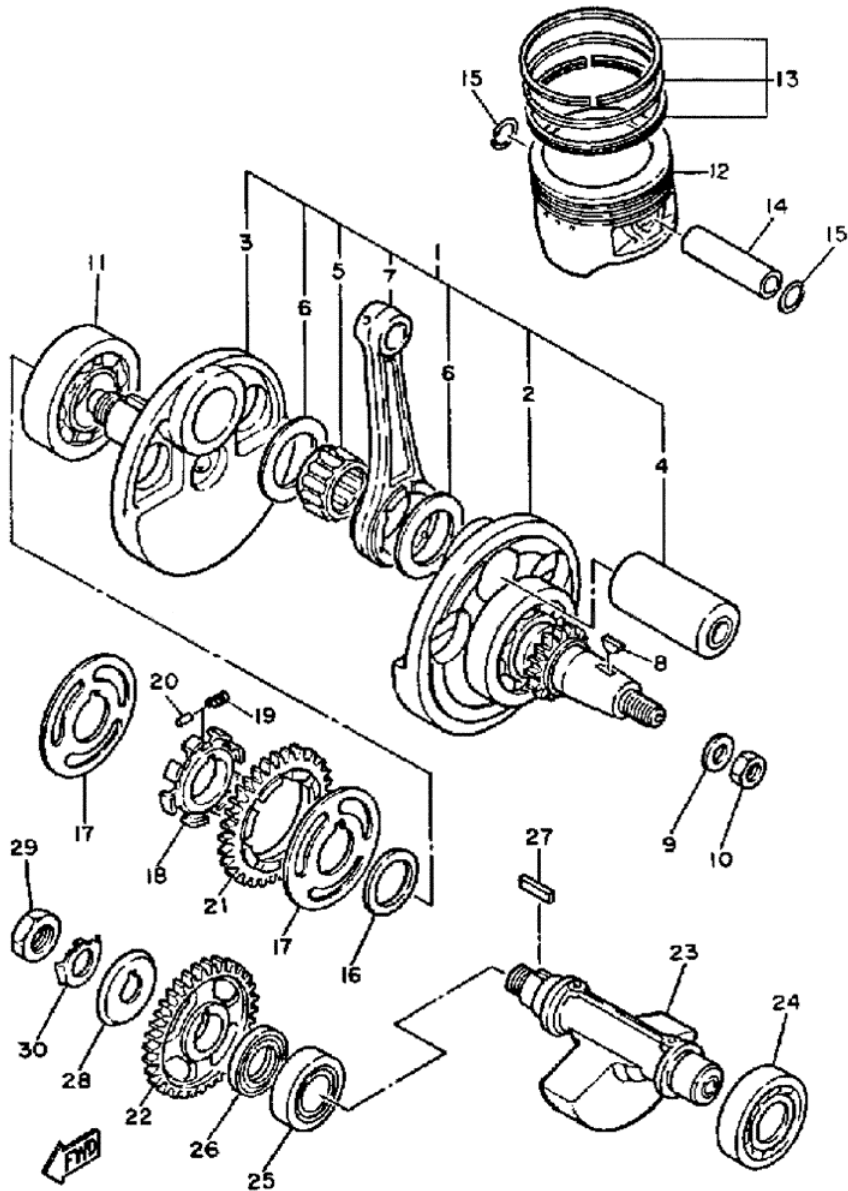
Item	Part #	Description	Req
1	34L-15100-05-00	CRANKCASE ASSY	1
2	90387-17783-00	COLLAR	1
3	90387-16782-00	COLLAR	1
4	99510-12016-00	PIN, DOWEL	2
5	99510-08016-00	PIN, DOWEL	1
6	93210-07135-00	O-RING	1
7	90110-06138-00	BOLT, HEX SOCKET HEAD	9
8	91316-06045-00	BOLT	4
9	91316-06060-00	BOLT	1
10	34L-11166-00-00	PIPE, BREATHER 1	1
11	90467-14015-00	CLIP	2
12	5Y1-15383-00-00	PLATE, BEARING COVER	1
13	98603-06012-00	SCREW, OVAL HEAD (92701-06012)	3
14	90116-10087-00	BOLT, STUD	2
15	99530-14016-00	PIN, DOWEL	2
16	90116-10263-00	BOLT, STUD	2
17	99510-08016-00	PIN, DOWEL	1
18	90430-08178-00	GASKET	1

CRANKCASE COVER 1



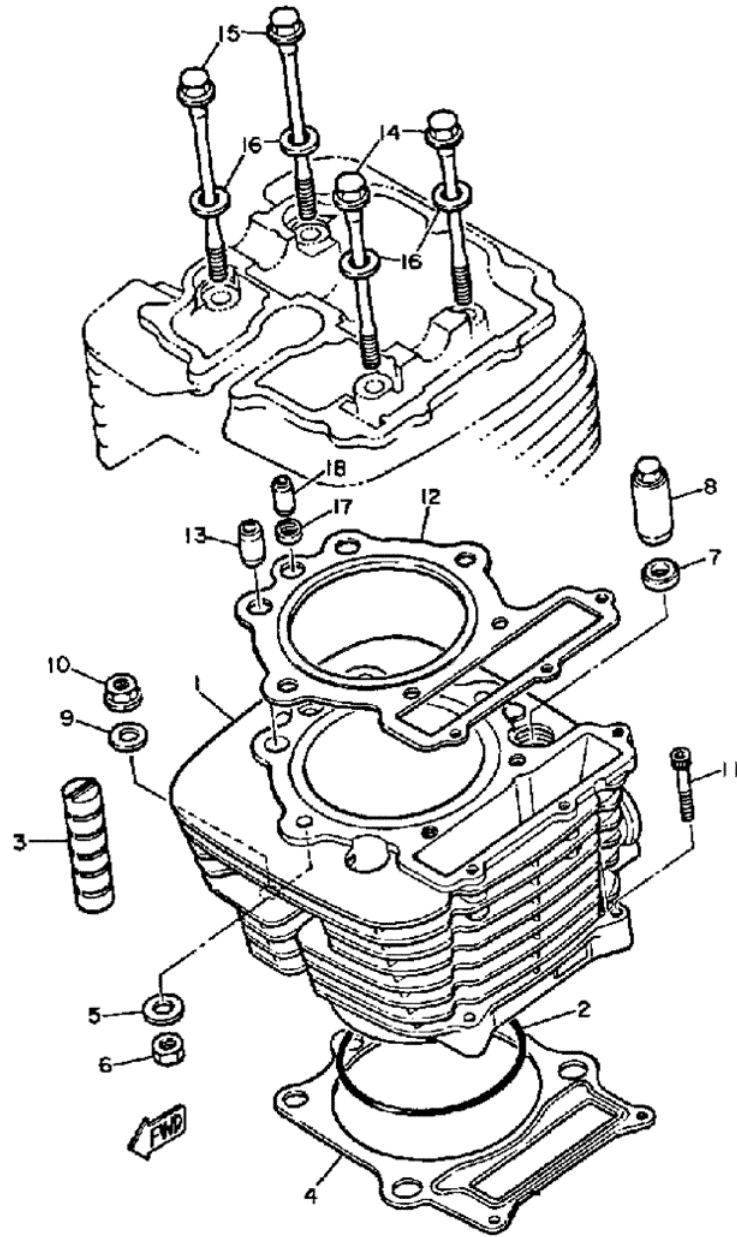
Item	Part #	Description	Req
1	34K-15411-00-00	COVER, CRANKCASE L	1
2	3SW-15451-00-00	GASKET, CRANKCASE	1
3	99510-12016-00	PIN, DOWEL	2
4	91316-06020-00	BOLT	1
5	91316-06025-00	BOLT	6
6	91316-06040-00	BOLT, SOCKET HEAD	1
7	91316-06050-00	BOLT	1
8	93210-13361-00	O-RING	2
9	5Y1-15441-00-00	HOLDER, CLCH CABLE	1
10	90340-14079-00	PLUG, STRAIGHT SCRW	1
11	93210-14369-00	O-RING	1
12	90340-36078-00	PLUG, STRAIGHT SCREW	1
13	93210-36510-00	O-RING	1
14	90462-16102-00	CLAMP	1
15	98580-06012-00	SCREW, PAN HEAD	1
16	90462-10107-00	CLAMP	1
17	5Y1-15421-02-00	COVER, CRANKCASE R	1
18	91316-06016-00	BOLT	2
19	5Y1-15431-03-00	COVER, CRANKCASE 3	1
20	4DW-15462-00-00	GASKET, CRANKCASE COVER 3	1
21	99510-12016-00	PIN, DOWEL	2
22	91316-06025-00	BOLT	7
23	90110-06138-00	BOLT, HEX SOCKET HEAD	1
24	91316-06035-00	BOLT	2
25	93101-14092-00	OIL SEAL (S7-14-25-5.5-1-HS)	1
26	5Y1-15417-01-00	COVER, CAP	1
27	91316-06016-00	BOLT	2
28	5Y1-15645-00-00	SHIM, KICK SHAFT	1
29	5Y1-1562F-01-00	PLATE, DECOMP	1

CRANKSHAFT PISTON



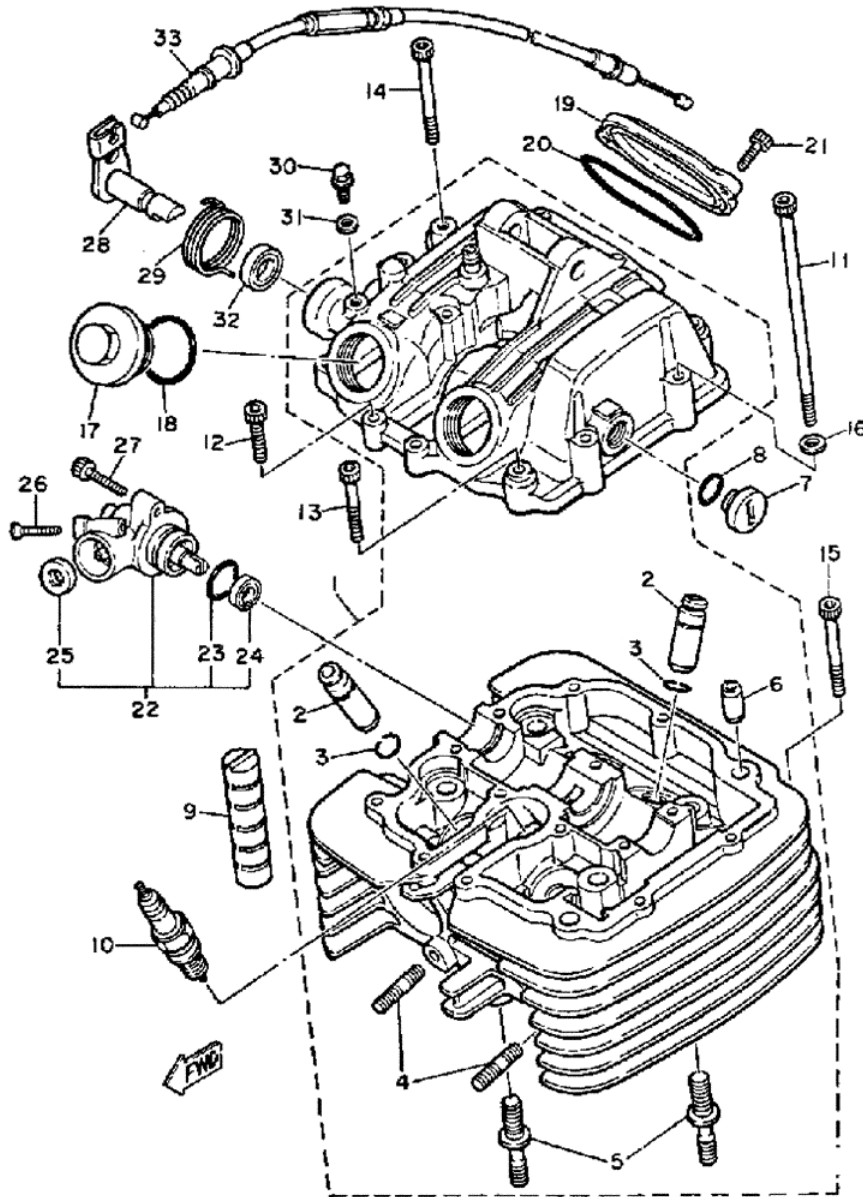
Item	Part #	Description	Req
1	34K-11400-00-00	CRANKSHAFT ASSY	1
2	34K-W1141-00-00	CRANK 1	1
3	34K-11422-00-00	CRANK 2	1
4	34K-11681-00-00	PIN, CRANK 1	1
5	93310-634K2-00	BEARING, CYL.#10	1
6	90209-34254-00	WASHER, SPEC"L SHAP	2
7	34K-11651-00-00	ROD, CONNECTING	1
8	90280-16053-00	KEY, WOODRUFF	1
9	90201-140A6-00	WASHER, PLATE	1
10	90179-14317-00	NUT	1
11	93306-30702-00	BEARING (B6307)	1
12	34L-11631-02-Y0	PISTON (STD)	1
	34L-11636-02-00	PISTON (2ND O/S) ALT. PART	1
	34L-11638-02-00	PISTON 4 O/S 1.00 ALT. PART	1
13	34L-11610-00-00	PISTON RING SET (STD)	1
	34L-11610-20-00	PISTON RING SET (0.50MM O/S) ALT. PART	1
	34L-11610-40-00	PISTON RING SET (1.00MM O/S) ALT. PART	1
14	34K-11633-01-00	PIN, PISTON	1
15	93450-24028-00	CIRCLIP	2
16	90201-301F4-00	WASHER, PLATE	1
17	34K-11565-01-00	WASHER, BEARING CVR	2
18	5Y1-11496-01-00	BOSS, BUFFER	1
19	90501-22721-00	SPRING, COMPRESSION	8
20	93605-10090-00	PIN, DOWEL	4
21	2JT-11536-00-00	GEAR, DRIVE	1
22	5Y1-11531-00-00	GEAR, BALANCE WT 44T	1
23	34K-11454-00-00	WEIGHT 1	1
24	93306-30525-00	BEARING (B6305)	1
25	93306-30541-00	BEARING	1
26	93101-25106-00	OIL SEAL	1
27	90282-05013-00	KEY, STRAIGHT	1
28	34K-11145-00-00	PLATE, BREATHER 2	1
29	90170-16326-00	NUT	1
	90170-16343-00	NUT	1
30	90215-16242-00	WASHER, LOCK	1

CYLINDER



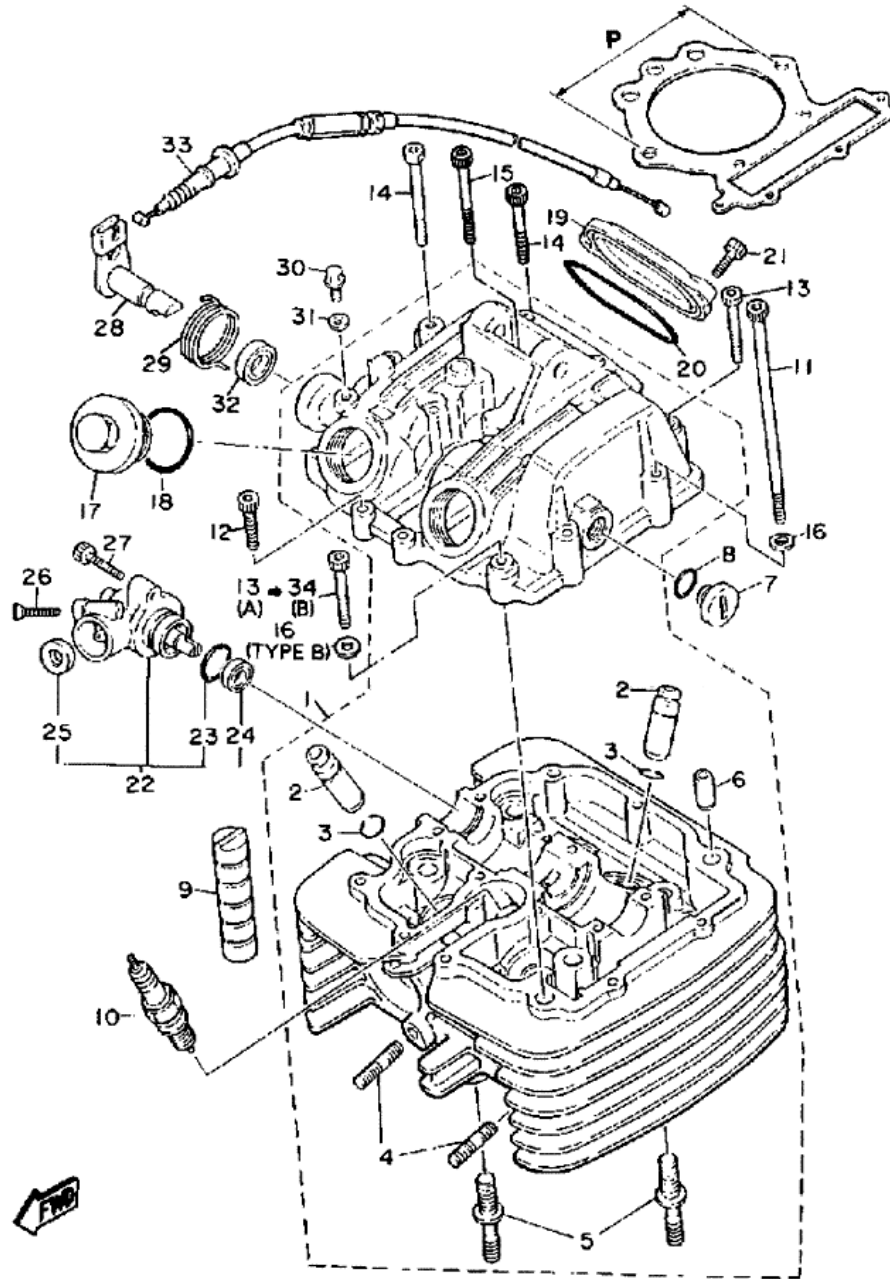
Item	Part #	Description	Req
1	99999-01824-00	CYL.KIT (STUD BOLT)	1
2	93210-97524-00	O-RING	1
3	583-11127-00-00	ABSORBER 3	2
4	1VJ-11351-00-00	GASKET, CYL	1
5	90201-087K2-00	WASHER, PLATE	2
6	90176-08026-00	NUT, CROWN	2
7	90201-10590-00	WASHER, PLATE	2
8	90179-10201-00	NUT	2
9	90201-10124-00	WASHER, PLATE	2
10	90179-10279-00	NUT	2
11	90110-06138-00	BOLT, HEX SOCKET HEAD	2
12	1JK-11181-02-00	GASKET, CYL HEAD	1
13	91810-05018-00	PIN, DOWEL	2
14	90105-08464-00	BOLT, WASHER BASED	2
15	90105-08214-00	BOLT, WASHER BASED	2
16	90201-080L7-00	WASHER, PLATE	4
17	90430-08178-00	GASKET	1
18	99510-08016-00	PIN, DOWEL	1

CYLINDER HEAD



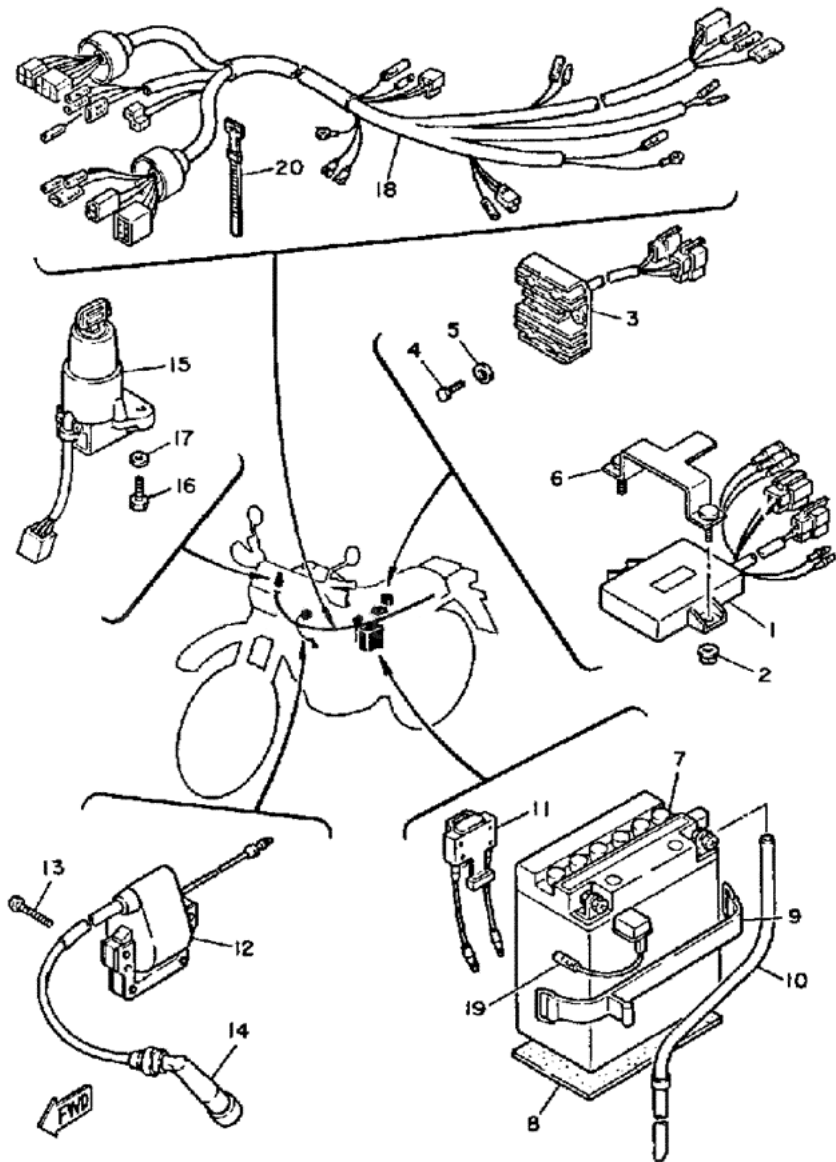
Item	Part #	Description	Req
1	34L-11101-01-00	CYL HEAD ASSY (34L-11101-00)	1
2	4H7-11133-10-00	GUIDE, INTAKE VALVE	4
3	93440-12052-00	CIRCLIP	4
4	90116-06475-00	BOLT, STUD	4
5	90116-10378-00	BOLT, STUD	2
6	99510-10114-00	PIN, DOWEL	2
7	90340-14079-00	PLUG, STRAIGHT SCRW	1
8	93210-14369-00	O-RING	1
9	583-11127-00-00	ABSORBER 3	2
10	NGK-DP8EA-90-00	PLUG, SPARK (NGK DP8EA-9)	1
11	91316-06125-00	BOLT	2
12	91316-06025-00	BOLT	4
13	91316-06040-00	BOLT, SOCKET HEAD	3
14	91316-06055-00	BOLT, SOCKET HEAD	7
15	91316-06050-00	BOLT	1
16	92906-06600-00	WASHER	2
17	1H2-11186-00-00	PLUG, VIEWER	2
18	93210-32172-00	O-RING	2
19	5Y1-11187-00-00	COVER, CYL HEAD SIDE 3	1
20	93210-62446-00	O-RING	1
21	91316-06018-00	BOLT, SOCKET HEAD	2
22	5Y1-17800-01-00	GEAR UNIT ASSY	1
23	93210-19522-00	O-RING	1
24	93102-11262-00	OIL SEAL, SD-TYPE	1
25	93102-07261-00	OIL SEAL, SD-TYPE	1
26	98706-06030-00	SCREW, FLAT HEAD	1
27	91316-06025-00	BOLT	1
28	5Y1-12288-00-00	CAM, DCOMP	1
29	90508-18551-00	SPRING, TORSION	1
30	90109-06418-00	BOLT	1
31	90430-06014-00	GASKET	1
32	93102-12321-00	OIL SEAL, SD-TYPE	1
33	34L-12292-00-00	CABLE, DCOMP	1

CYLINDER HEAD 1989 -



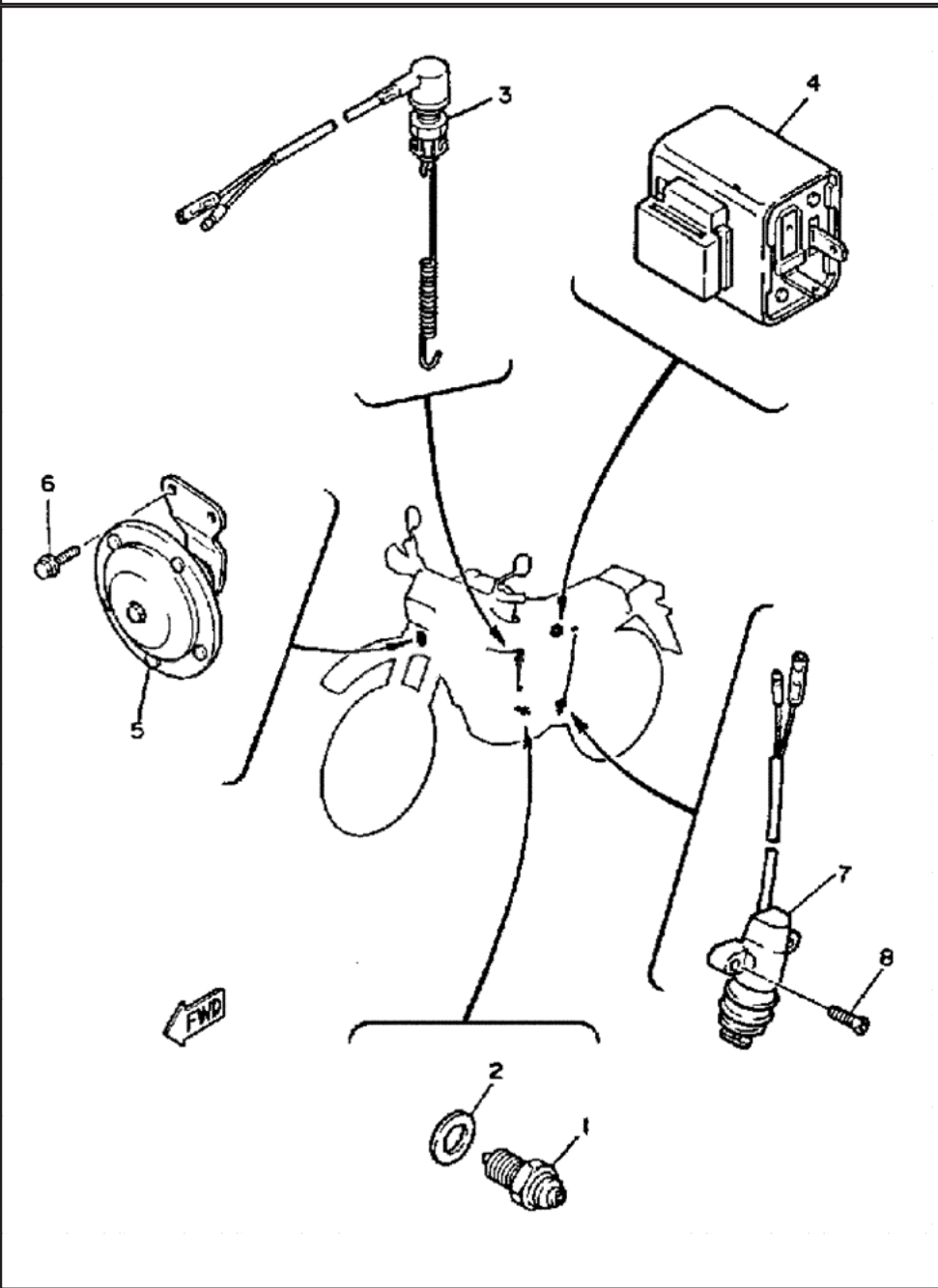
Item	Part #	Description	Req
1	1WN-11101-01-00	CYLINDER HEAD ASSEMBLY TYPE B - Color Info (B:BLUE:G016)	1
2	4H7-11133-10-00	GUIDE, INTAKE VALVE	4
3	93440-12052-00	CIRCLIP	4
4	90116-06475-00	BOLT, STUD	4
5	90116-10378-00	BOLT, STUD	2
6	99510-10114-00	PIN, DOWEL	2
7	90340-14079-00	PLUG, STRAIGHT SCREW	1
8	93210-13657-00	O-RING	1
9	583-11127-00-00	ABSORBER 3	2
10	NGK-DP8EA-90-00	PLUG, SPARK (NGK DP8EA-9)	1
11	91316-06125-00	BOLT	2
12	91316-06025-00	BOLT	4
13	91316-06040-00	BOLT, SOCKET HEAD TYPE B - Color Info (B:BLUE:G016)	2
14	91316-06055-00	BOLT, SOCKET HEAD	7
15	91316-06050-00	BOLT	1
16	92906-06600-00	WASHER TYPE B - Color Info (B:BLUE:G016)	3
17	1L9-11186-00-00	COVER, CYLINDER HEAD SIDE 2	2
18	93210-32172-00	O-RING	2
19	5Y1-11187-00-00	COVER, CYLINDER HEAD SIDE 3	1
20	93210-62446-00	O-RING	1
21	91316-06018-00	BOLT, SOCKET HEAD	2
22	5Y1-17800-01-00	GEAR UNIT ASSEMBLY	1
23	93210-19522-00	O-RING	1
24	93102-11262-00	OIL SEAL, SD-TYPE	1
25	93102-07261-00	OIL SEAL, SD-TYPE	1
26	98706-06030-00	SCREW, FLAT HEAD	1
27	91316-06025-00	BOLT	1
28	5Y1-12288-00-00	CAM, DCOMP	1
29	90508-18551-00	SPRING, TORSION	1
30	90109-06418-00	BOLT	1
31	90430-06014-00	GASKET	1
32	93102-12321-00	OIL SEAL, SD-TYPE	1
33	34L-12292-00-00	CABLE, DCOMP	1
34	91316-06115-00	BOLT, SOCKET HEAD TYPE B - Color Info (B:BLUE:G016)	1

ELECTRICAL 1



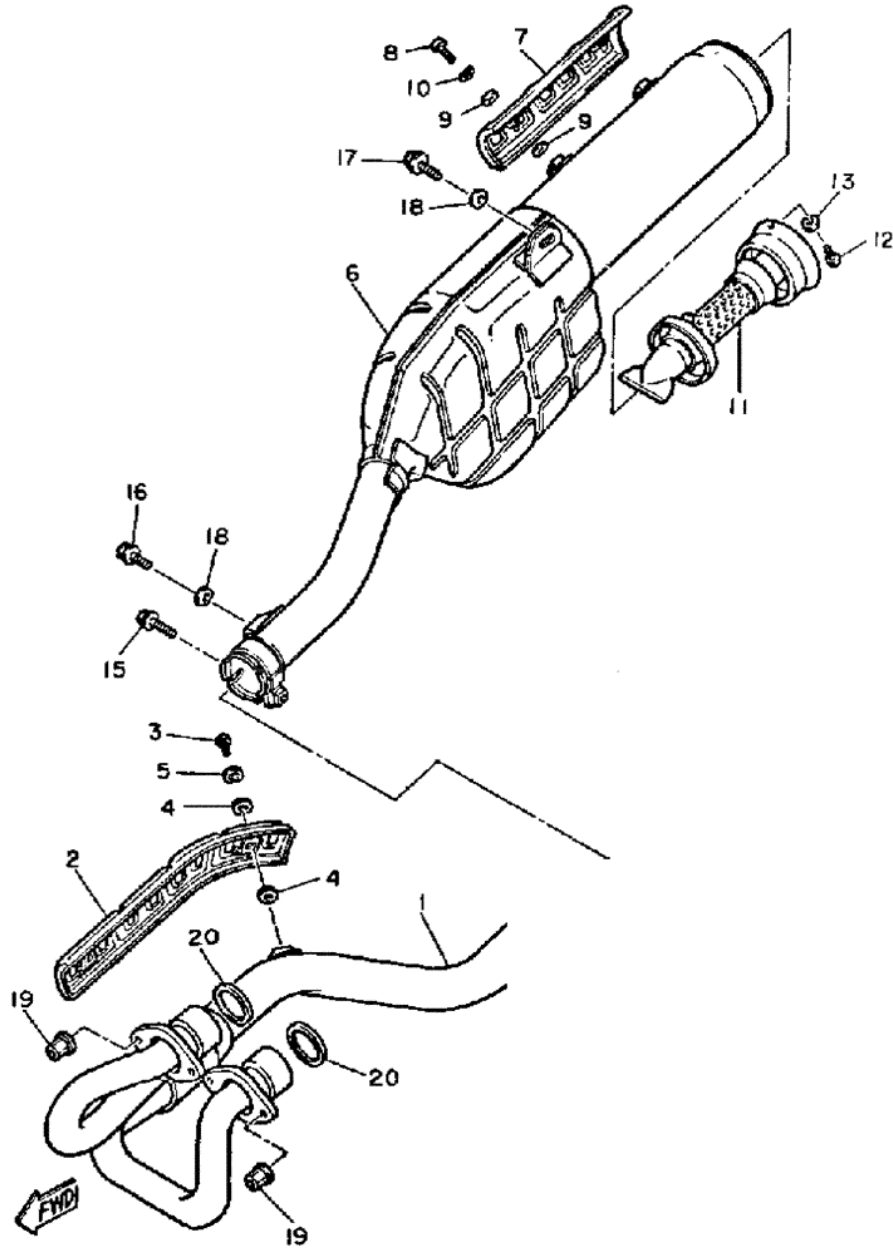
Item	Part #	Description	Req
1	5Y1-85540-52-00	CDI UNIT ASSY	1
2	95701-06500-00	NUT, FLANGE	2
3	34L-81960-A0-00	RECTIFIER/REG ASSY	1
4	97313-06016-00	BOLT	2
5	90201-061A5-00	WASHER, PLATE	2
6	34L-8553A-00-00	STAY UNIT	1
7	BTG-GM4A3-B0-00	GS GM4A-3B	1
8	5X2-24183-00-00	DAMPER, LOCATING 3	1
9	4J2-82131-01-00	BAND, BATTERY	1
10	90445-08782-00	HOSE	1
11	5Y1-82180-00-00	CIRCUIT BRKR.ASSY	1
12	43F-82310-51-00	IGNITION COIL ASSY	1
13	98580-06020-00	SCREW, PAN HEAD	2
14	371-82370-00-00	PLUG CAP ASSY	1
15	5Y1-82501-80-00	MAIN SWCH STRG LCK	1
16	97313-06016-00	BOLT	2
17	90201-061A5-00	WASHER, PLATE	2
18	49M-82590-00-00	WIRE HARNESS ASSY	1
19	1M1-82115-00-00	WIRE, PLUS LEAD	1
20	437-83936-11-00	BAND, SWITCH CORD	1
	437-83936-11-00	BAND, SWITCH CORD	2

ELECTRICAL 2



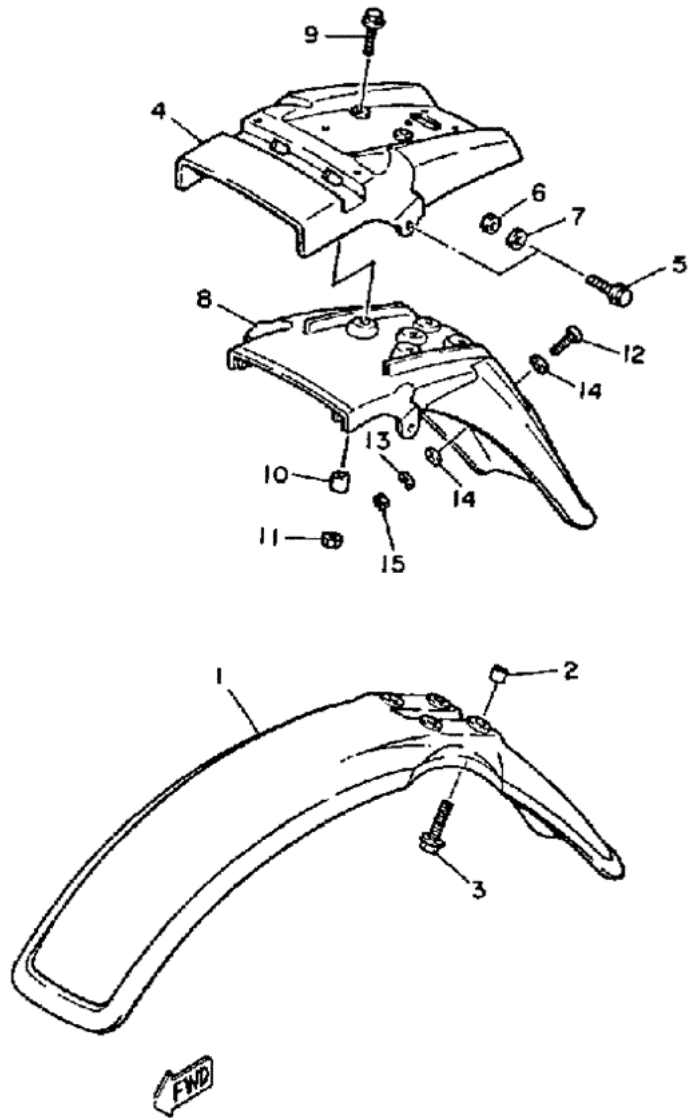
Item	Part #	Description	Req
1	2H7-82540-00-00	NEUTRAL SWITCH ASSY	1
2	90430-10171-00	GASKET	1
3	34L-82530-02-00	STOP SWITCH ASSY	1
4	30X-83350-20-00	FLASHER RELAY ASSY	1
5	12R-83371-20-00	HORN	1
6	95811-06010-00	BOLT, FLANGE	2
7	5Y1-82566-00-00	SWITCH, SIDE STAND	1
8	98706-05020-00	SCREW, FLAT HEAD	2

EXHAUST



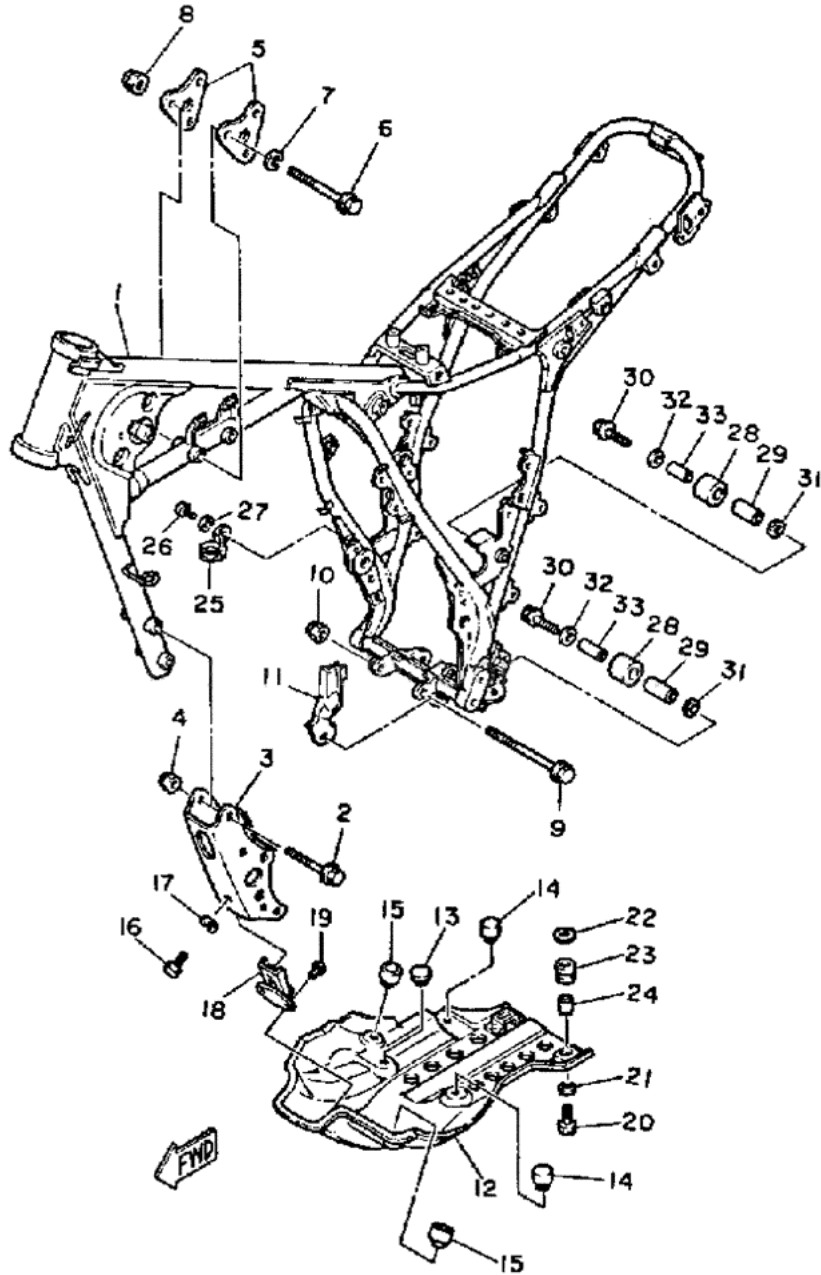
Item	Part #	Description	Req
1	34K-14611-01-00	PIPE, EXHAUST 1	1
2	54G-14628-01-00	PROTECTOR, EXHAUST PIPE	1
3	90164-06017-00	SCREW, TAPPING	2
4	30X-14766-00-00	WASHER, PROTECTOR	4
5	90206-06090-00	WASHER, WAVE	2
6	49R-14711-01-00	MUFFLER L	1
7	34L-14728-00-00	PROTECTOR, MUFF 2	1
8	98906-06010-00	SCREW, BIND	2
9	90202-05187-00	WASHER, PLATE	4
10	90206-06090-00	WASHER, WAVE	2
11	34K-14752-00-00	PIPE, OUTLET	1
12	98580-06008-00	SCREW, PAN HEAD	1
13	92995-06100-00	WASHER, SPRING	1
14	3YF-14755-00-00	GASKET, SILENCER	1
15	95816-08045-00	BOLT, FLANGE	1
16	95811-08012-00	BOLT, FLANGE (95801-08012-00)	1
17	95821-08020-00	BOLT, FLANGE (95811-08020)	1
18	90201-08326-00	WASHER, PLATE	2
19	90179-06499-00	NUT	4
20	3YF-14613-01-00	GASKET, EXHAUST PIPE	2

FENDER



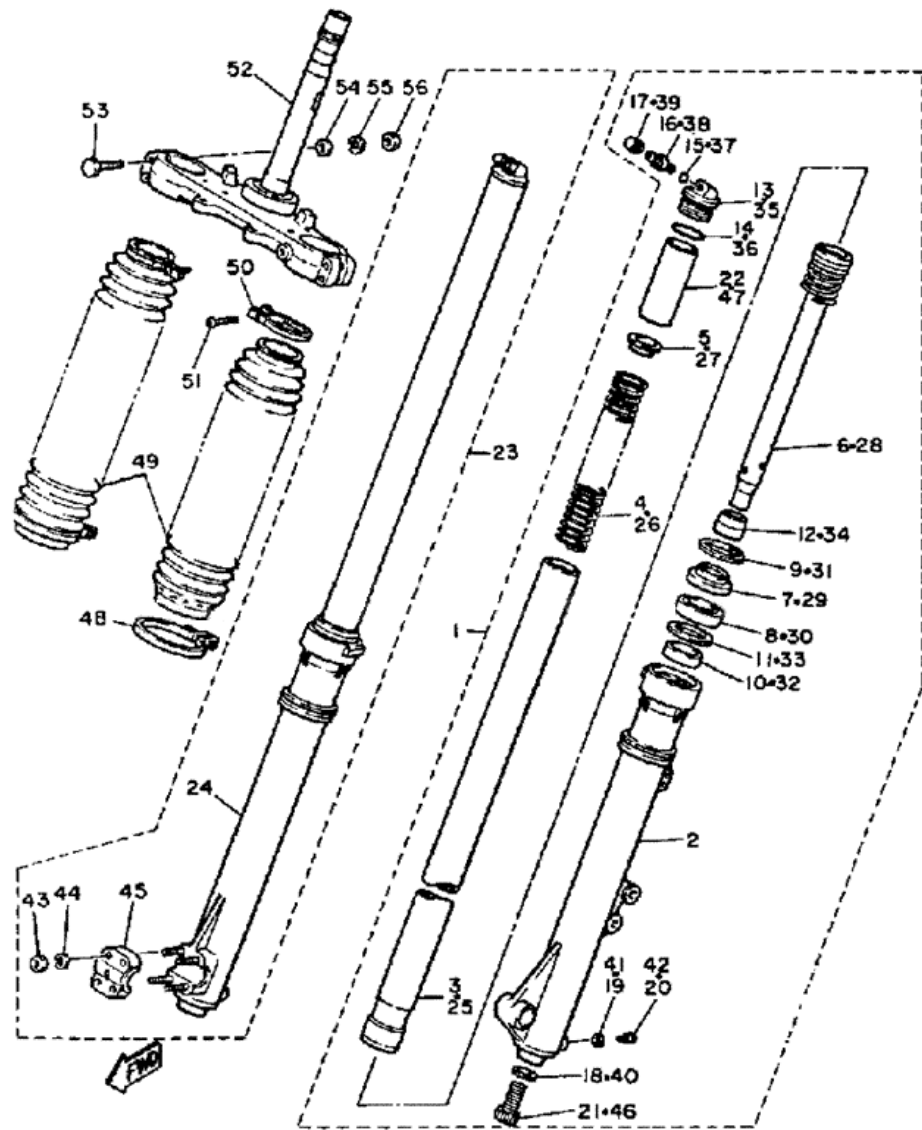
Item	Part #	Description	Req
1	30X-21511-00-00	FENDER, FRONT WHITE	1
2	90387-06681-00	COLLAR	4
3	90119-06063-00	BOLT, WITH WASHER	4
4	34L-21611-20-00	FENDER, REAR	1
5	95816-08030-00	BOLT, FLANGE	2
6	95333-08600-00	NUT	2
7	90201-08100-00	WASHER, PLATE	2
8	34L-21685-00-00	BRACKET, LICENSE	1
9	95816-06030-00	BOLT, FLANGE	2
10	90387-067F1-00	COLLAR	2
11	95380-06600-00	NUT, HEXAGON	2
12	98580-06020-00	SCREW, PAN HEAD	1
13	92995-06100-00	WASHER, SPRING	1
14	90201-06M08-00	WASHER, PLATE	1
15	95380-06600-00	NUT, HEXAGON	1

FRAME



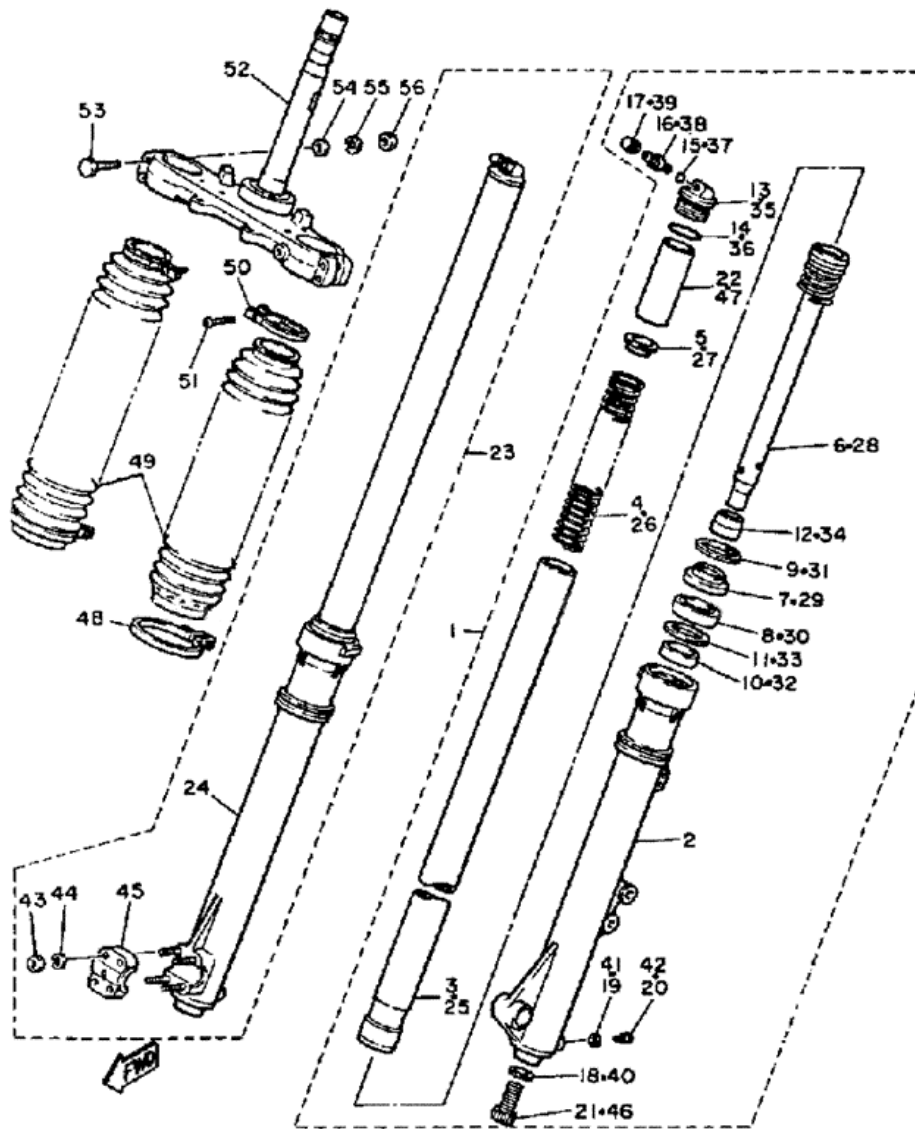
Item	Part #	Description	Req
1	49N-21110-00-FH	FRAME FIRE RED	1
2	90105-10286-00	BOLT, WASHER BASED	4
3	34L-21316-00-FH	STAY, ENGINE 3 FIRE RED	1
4	90185-10060-00	NUT, SELF-LOCKING	4
5	34L-21315-00-00	STAY, ENGINE 2	2
6	97011-10080-00	BOLT	3
7	92990-10100-00	WASHER, SPRING	3
8	90185-10060-00	NUT, SELF-LOCKING	3
9	95811-10100-00	BOLT, FLANGE	1
10	90185-10060-00	NUT, SELF-LOCKING	1
11	34L-2176E-01-00	PLATE	1
12	34L-21471-00-00	PROTECTOR, ENGINE	1
13	2J5-21732-00-00	SEAL 1	1
14	4N0-27114-00-00	STOPPER, MAIN STAND	2
15	34L-21485-00-00	DAMPER, RUBBER 1	2
16	97016-08016-00	BOLT	1
17	92906-08100-00	WASHER, SPRING	1
18	34L-21486-00-00	DAMPER 2	1
19	90267-48079-00	RIVET, BLIND	2
20	97016-06025-00	BOLT	2
21	92906-06100-00	WASHER, SPRING	2
22	90201-06067-00	WASHER, PLATE	2
23	90480-14229-00	GROMMET	2
24	90387-060A7-00	COLLAR	2
25	5Y1-21441-00-00	BRACKET, STOP SWITCH	1
26	98580-06012-00	SCREW, PAN HEAD	1
27	92995-06100-00	WASHER, SPRING	1
28	30X-22178-00-00	TENSIONER	2
29	4V4-22184-00-00	BUSH	2
30	90109-08705-00	BOLT	2
31	90201-13409-00	WASHER, PLATE	2
32	90201-08753-00	WASHER, PLATE	2
33	90387-085E1-00	COLLAR	2

FRONT FORK



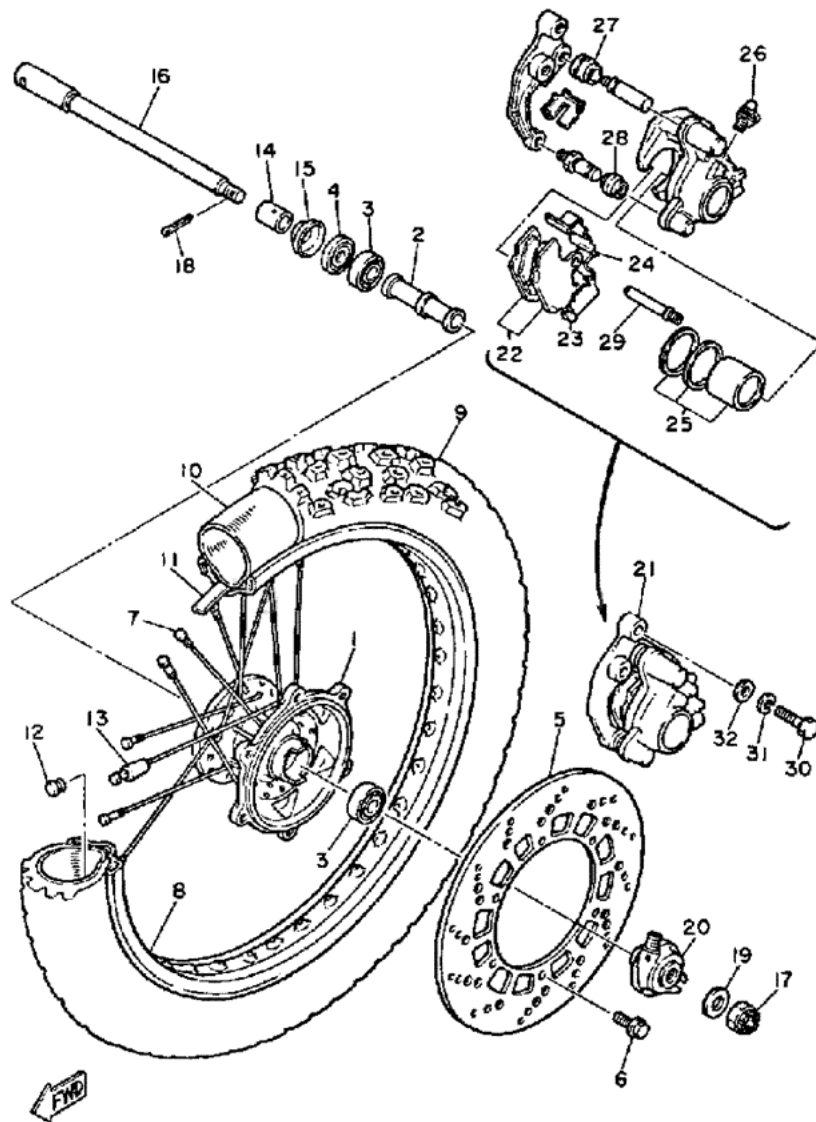
Item	Part #	Description	Req
1	43F-W2313-00-00	FRT FORK ASSY LH	1
2	43F-23126-10-38	TUBE, OUTER 1	1
3	43F-23110-10-00	INNER TUBE 1	1
4	43F-23141-10-00	SPRING, FRONT FORK	1
5	43F-23142-10-00	SEAT, SPRING UPPER	1
6	43F-23170-10-00	CYL, FRTRK	1
7	43F-23144-10-00	SEAL, DUST	1
8	43F-23145-10-00	OIL SEAL	1
9	26H-23156-00-00	CLIP, OIL SEAL	1
10	3JD-23125-L0-00	METAL, SLIDE 1 (3LC-23125-00-	1
11	36Y-23146-10-00	WASHER, OIL SEAL	1
12	4V4-23173-L0-00	SPINDLE, TAPER	1
13	43F-23111-10-00	BOLT, CAP	1
14	43F-23188-10-00	O-RING	1
15	3J2-23147-00-00	O-RING	1
16	4V4-23190-L0-00	AIR VALVE	1
17	509-23184-L0-00	CAP, AIR VALVE	1
18	4V4-23158-L0-00	GASKET	1
19	122-23129-00-00	GASKET, DRAIN PLUG	1
20	4H7-23119-00-00	PLUG, DRAIN	1
21	4V4-23181-L0-00	BOLT, HEX SCKT HEAD	1
22	43F-23118-10-00	SPACER	1
23	43F-W2314-00-00	FRT FORK ASSY RH	1
24	43F-23136-10-38	TUBE, OUTER 2	1
25	43F-23110-10-00	INNER TUBE 1	1
26	43F-23141-10-00	SPRING, FRONT FORK	1
27	43F-23142-10-00	SEAT, SPRING UPPER	1
28	43F-23170-10-00	CYL, FRTRK	1
29	43F-23144-10-00	SEAL, DUST	1
30	43F-23145-10-00	OIL SEAL	1
31	26H-23156-00-00	CLIP, OIL SEAL	1
32	3JD-23125-L0-00	METAL, SLIDE 1 (3LC-23125-00-	1
33	36Y-23146-10-00	WASHER, OIL SEAL	1
34	4V4-23173-L0-00	SPINDLE, TAPER	1
35	43F-23111-10-00	BOLT, CAP	1
36	43F-23188-10-00	O-RING	1
37	3J2-23147-00-00	O-RING	1
38	4V4-23190-L0-00	AIR VALVE	1
39	509-23184-L0-00	CAP, AIR VALVE	1
40	4V4-23158-L0-00	GASKET	1
41	122-23129-00-00	GASKET, DRAIN PLUG	1
42	4H7-23119-00-00	PLUG, DRAIN	1
43	95311-06600-00	NUT	4
44	92995-06100-00	WASHER, SPRING	4
45	4V2-23167-L0-00	HOLDER, AXLE	1
46	4V4-23181-L0-00	BOLT, HEX SCKT HEAD	1
47	43F-23118-10-00	SPACER	1
48	3LD-23489-00-00	BAND	2

FRONT FORK - 2



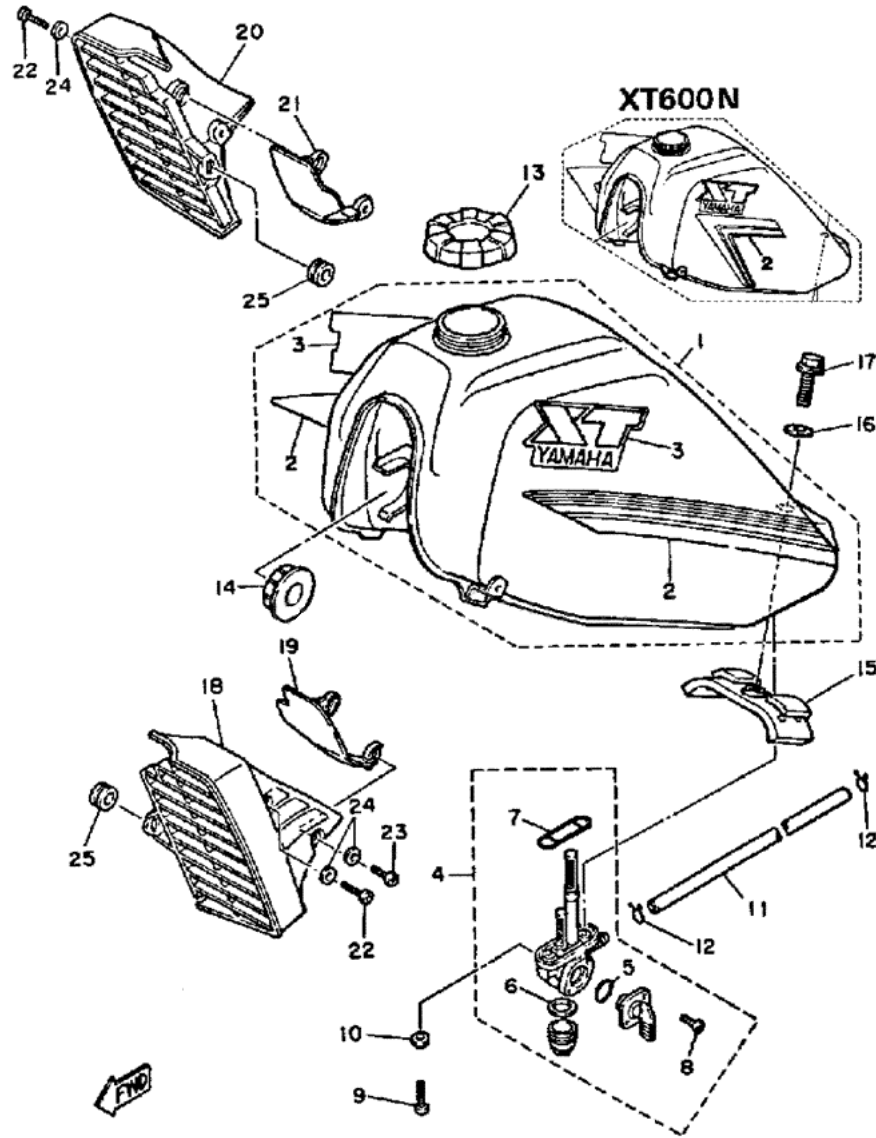
Item	Part #	Description	Req
49	43F-23191-11-00	BOOT CHAPPY RED	2
50	43M-23192-L0-00	BAND	2
51	98506-04018-00	SCREW, PAN HEAD	2
52	43F-23340-30-39	UNDER BRACKET	1
53	90101-08340-00	BOLT	4
54	92901-08600-00	WASHER, PLATE	4
55	92990-08100-00	WASHER, SPRING	4
56	95333-08600-00	NUT	4

FRONT WHEEL



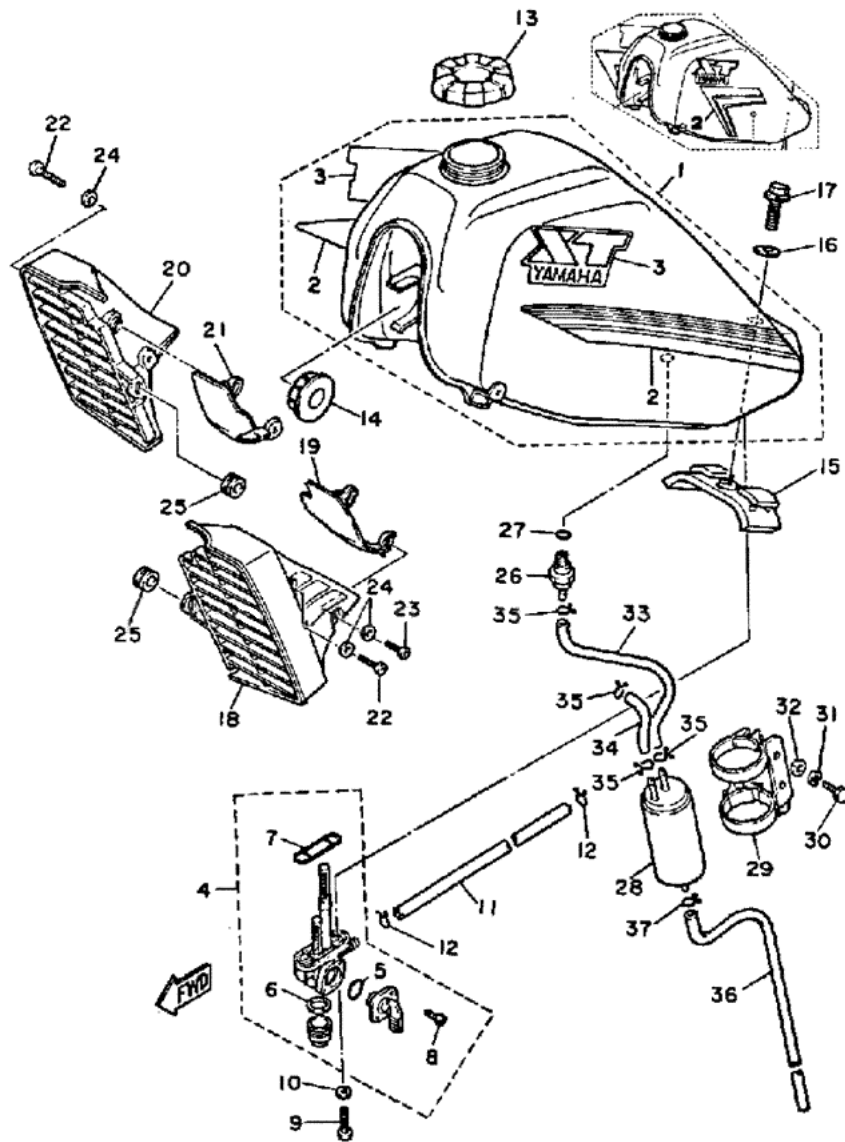
Item	Part #	Description	Req
1	3TB-25111-00-98	HUB, FRONT LW GLOSS BK	1
2	90560-15240-00	SPACER	1
3	93306-20209-00	BEARING	2
4	93102-20281-00	OIL SEAL (SD 20-35-5)	1
5	43F-25831-00-00	DISC, BRAKE RH	1
6	90109-06757-00	BOLT	6
7	94416-21396-00	RIM 1.60X21	1
8	34L-25104-00-00	SPOKE SET, FRONT	1
9	94130-211N0-00	300-21 TW25 (TT) BRIDGESTONE	1
10	94227-21123-00	TUBE (80/100-21 TR4 BTL) BRIDGESTONE	1
11	94330-21084-00	BAND, RIM (70-80/100-21) BRIDGESTONE	1
12	90480-10068-00	GROMMET	1
13	156-25398-00-00	BALANCER, WHEEL	1
14	90387-152J3-00	COLLAR	1
15	322-25118-00-00	COVER, HUB DUST	1
16	43F-25181-00-00	AXLE, WHEEL	1
17	90171-14020-00	NUT, CASTLE	1
18	91401-30030-00	PIN, COTTER	1
19	90201-15785-00	WASHER, PLATE	1
20	34L-25190-01-00	GEAR UNIT ASSY	1
21	43F-2580T-00-00	CALIPER ASSY LH	1
22	43F-W0045-01-00	BRAKE PAD KIT, FRO (11H-W0045)	1
23	11U-25827-10-00	SHIM, CALIPER	1
24	34L-25919-00-00	SUPPORT, PAD	1
25	4X8-W0057-00-00	PISTON ASSY, CALIPER	1
26	51L-W0048-00-00	BLEED SCREW KIT	1
27	4X8-25917-00-00	BOOT, CALIPER	1
28	5R2-25937-00-00	BOOT 2	1
29	34L-25924-00-00	PIN PAD	1
30	90105-10638-00	BOLT, WASHER BASED	2
31	92990-10100-00	WASHER, SPRING	2
32	92990-10200-00	WASHER, PLAIN	2

FUEL TANK XT600L - N



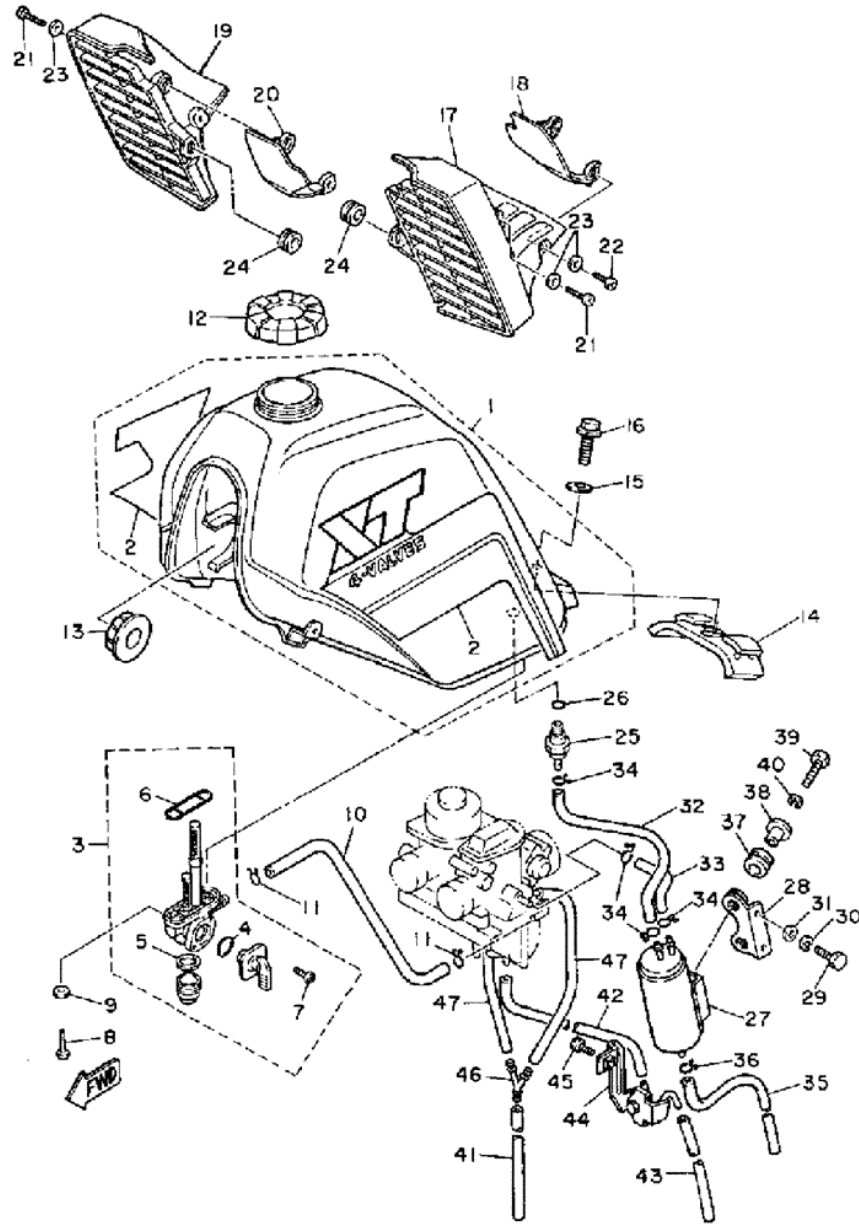
Item	Part #	Description	Req
1	43F-24110-G0-04	FUEL TANK	1
2	49R-24240-00-00	GRAPHIC SET	1
	49R-24240-10-00	GRAPHIC SET	1
3	42U-24161-01-00	EMBLEM 1	2
4	3FY-24500-00-00	FUEL COCK ASSY 1	1
5	4X8-24534-00-00	SEAL, COCK	1
6	4X8-24565-00-00	GASKET	1
7	4X8-24512-00-00	O-RING	1
8	4X8-24535-00-00	SCREW, LVR FITTING	2
9	90149-06011-00	SCREW	2
10	90202-05187-00	WASHER, PLATE	2
11	90445-103A3-00	HOSE	1
12	90467-09006-00	CLIP	2
13	34L-24610-02-00	CAP ASSY	1
14	4L0-24181-00-00	DAMPER, LOCATING 1	2
15	43F-24182-00-00	DAMPER, LOCATING 2	1
16	90209-07256-00	WASHER, SPEC"L SHAP	1
17	97011-06010-00	BOLT (97002-06010)	1
18	43F-2137W-00-00	SCOOP, AIR 1	1
19	43F-2137U-00-00	GUIDE, AIR 1	1
20	43F-2137X-00-00	SCOOP, AIR 2	1
21	43F-2137V-00-00	GUIDE, AIR 2	1
22	90149-06197-00	SCREW, SPEC"L SHAPE	2
23	90149-06200-00	SCREW, SPEC"L SHAPE	2
24	90201-06067-00	WASHER, PLATE	4
25	90480-08216-00	GROMMET	2

FUEL TANK XT600LC - NC



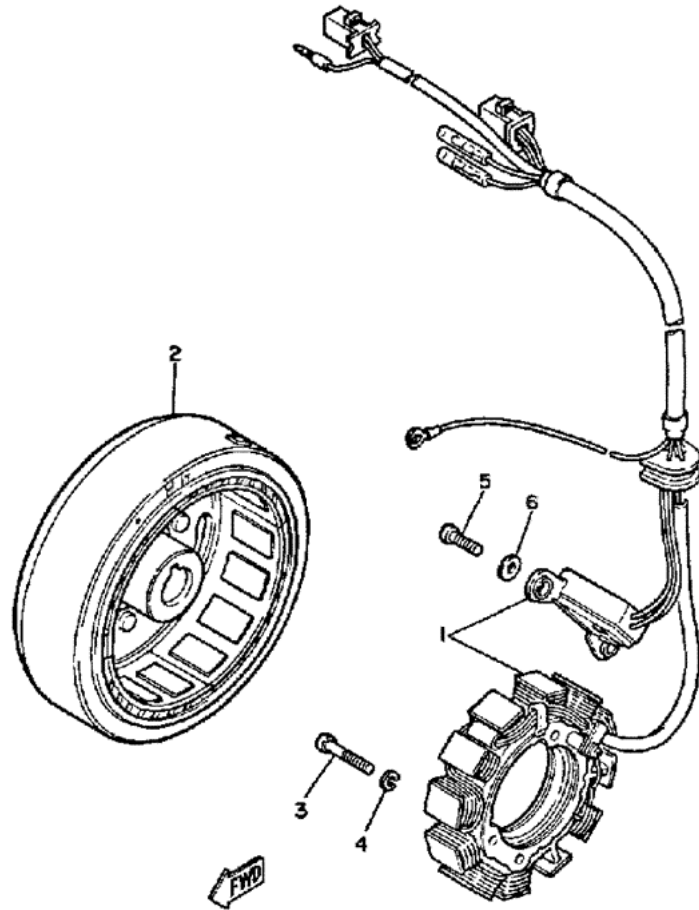
Item	Part #	Description	Req
1	49R-24110-00-03	FUEL TANK	1
2	49R-24240-00-00	GRAPHIC SET	1
	49R-24240-10-00	GRAPHIC SET	1
3	42U-24161-01-00	EMBLEM 1	1
4	3FY-24500-00-00	FUEL COCK ASSY 1	1
5	4X8-24534-00-00	SEAL, COCK	1
6	4X8-24565-00-00	GASKET	1
7	4X8-24512-00-00	O-RING	1
8	4X8-24535-00-00	SCREW, LVR FITTING	2
9	90149-06011-00	SCREW	2
10	90202-05187-00	WASHER, PLATE	2
11	90445-103A3-00	HOSE	1
12	90467-09006-00	CLIP	2
13	49R-24610-00-00	CAP ASSY	1
14	4L0-24181-00-00	DAMPER, LOCATING 1	2
15	43F-24182-00-00	DAMPER, LOCATING 2	1
16	90209-07256-00	WASHER, SPEC"L SHAP	1
17	97011-06010-00	BOLT (97002-06010)	1
18	43F-2137W-00-00	SCOOP, AIR 1	1
19	43F-2137U-00-00	GUIDE, AIR 1	1
20	43F-2137X-00-00	SCOOP, AIR 2	1
21	43F-2137V-00-00	GUIDE, AIR 2	1
22	90149-06197-00	SCREW, SPEC"L SHAPE	2
23	90149-06194-00	SCREW	2
	90149-06200-00	SCREW, SPEC"L SHAPE	2
24	90201-06067-00	WASHER, PLATE	4
25	90480-08216-00	GROMMET	2
26	20K-24180-00-00	ROLL OVER VALVE ASSY	1
27	93210-10166-00	O-RING	1
28	20K-24170-00-00	CANISTER ASSY	1
29	49R-24190-00-00	CANISTER HOLDER	1
30	97016-08016-00	BOLT	2
31	92906-08100-00	WASHER, SPRING	2
32	92906-08600-00	WASHER	2
33	90445-103A7-00	HOSE	1
34	90445-103A8-00	HOSE	1
35	90467-09006-00	CLIP	4
36	4A0-24311-00-00	PIPE, FUEL 1	1
37	90467-11102-00	CLIP, SCISSOR	1

FUEL TANK XT 600 XC 1986 -



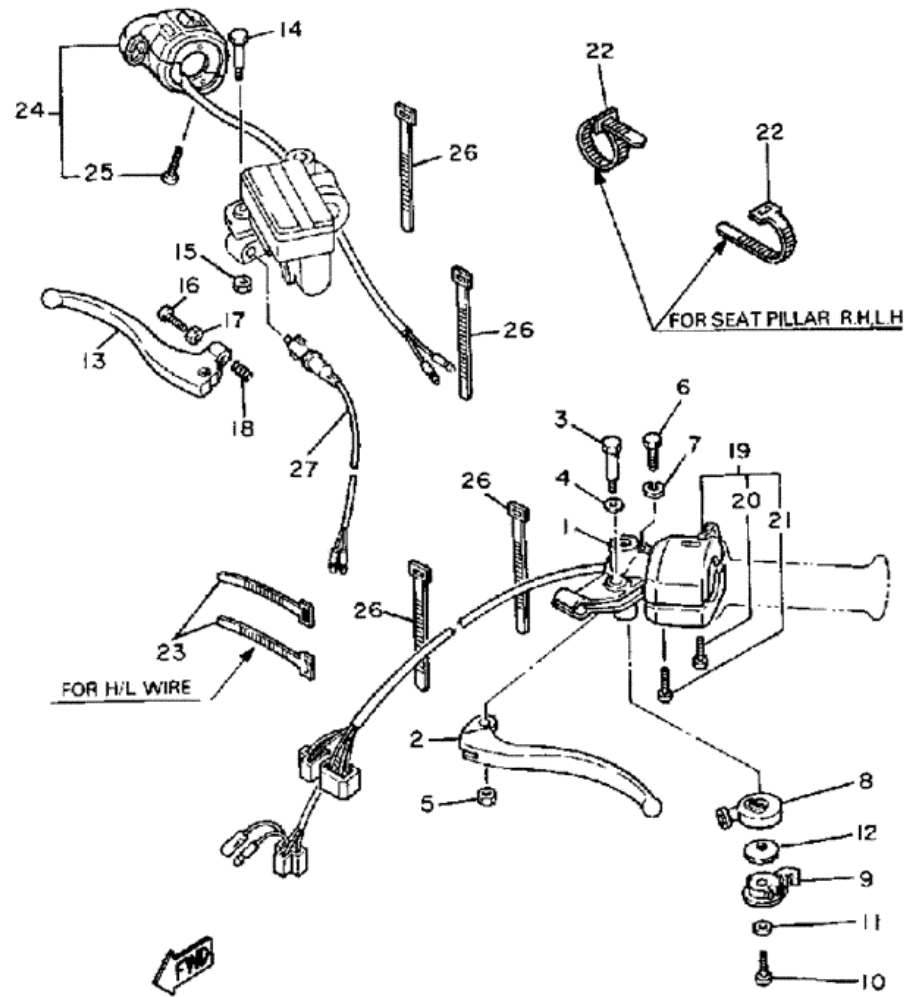
Item	Part #	Description	Req
1	49R-24110-00-03	FUEL TANK	1
2	43F-24240-20-00	GRAPHIC SET	1
3	3FY-24500-00-00	FUEL COCK ASSY 1	1
4	4X8-24534-00-00	SEAL, COCK	1
5	4X8-24565-00-00	GASKET	1
6	4X8-24512-00-00	O-RING	1
7	4X8-24535-00-00	SCREW, LVR FITTING	2
8	90149-06011-00	SCREW	2
9	90202-05187-00	WASHER, PLATE	2
10	90445-103A3-00	HOSE	1
11	90467-09006-00	CLIP	2
12	49R-24610-00-00	CAP ASSY	1
13	4L0-24181-00-00	DAMPER, LOCATING 1	2
14	43F-24182-00-00	DAMPER, LOCATING 2	1
15	90209-07256-00	WASHER, SPEC"L SHAP	1
16	97011-06010-00	BOLT (97002-06010)	1
17	43F-2137W-00-00	SCOOP, AIR 1	1
18	43F-2137U-00-00	GUIDE, AIR 1	1
19	43F-2137X-00-00	SCOOP, AIR 2	1
20	43F-2137V-00-00	GUIDE, AIR 2	1
21	90149-06197-00	SCREW, SPEC"L SHAPE	2
22	90149-06200-00	SCREW, SPEC"L SHAPE	2
23	90201-06067-00	WASHER, PLATE	4
24	90480-08216-00	GROMMET	2
25	20K-24180-00-00	ROLL OVER VALVE ASSY	1
26	93210-10166-00	O-RING	1
27	59K-24170-00-00	CANISTER ASS"Y	1
28	1WN-24190-00-00	CANISTER HOLDER	1
29	97016-08016-00	BOLT	2
30	92906-08100-00	WASHER, SPRING	2
31	92906-08600-00	WASHER	2
32	90445-103A7-00	HOSE	1
33	1WN-24312-00-00	PIPE 2	1
34	90467-09006-00	CLIP	4
35	4A0-24311-00-00	PIPE, FUEL 1	1
36	90467-11102-00	CLIP, SCISSOR	1
37	90480-15342-00	GROMMET	2
38	90387-063G3-00	COLLAR	2
39	97016-06025-00	BOLT	2
40	92906-06100-00	WASHER, SPRING	2
41	56R-14196-00-00	PIPE	1
42	1WN-14396-00-00	PIPE	1
43	1WN-14148-00-00	PIPE	1
44	1WN-14291-00-00	BRACKET 1	1
45	91316-08012-00	BOLT	1
46	90413-05008-00	WAY 3	1
47	1WN-14197-00-00	PIPE	2

GENERATOR



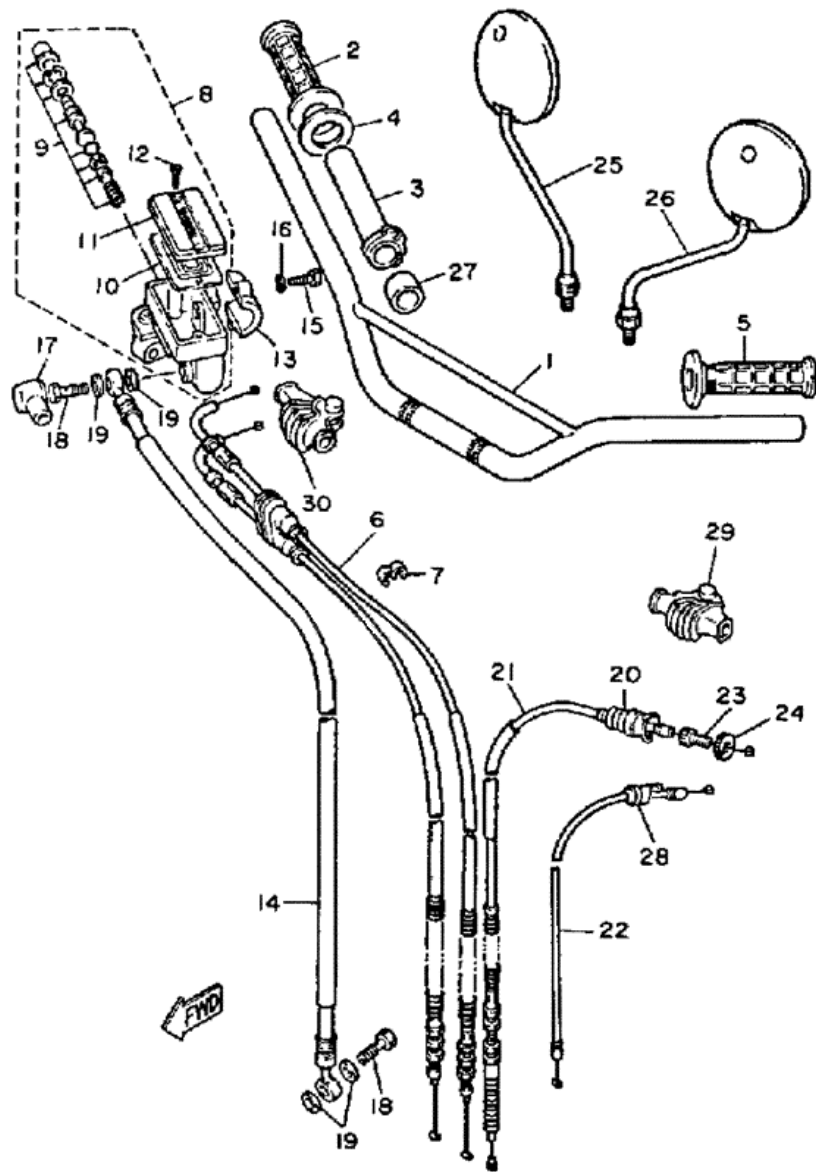
Item	Part #	Description	Req
1	34L-81410-51-00	STATOR ASSY	1
2	34L-81450-50-00	ROTOR ASSY	1
3	98580-06035-00	SCREW, PAN HEAD (92501-06035)	4
4	92995-06100-00	WASHER, SPRING	4
5	98580-06020-00	SCREW, PAN HEAD	2
6	90201-06643-00	WASHER, PLATE	2

HANDLE SWITCH LEVER



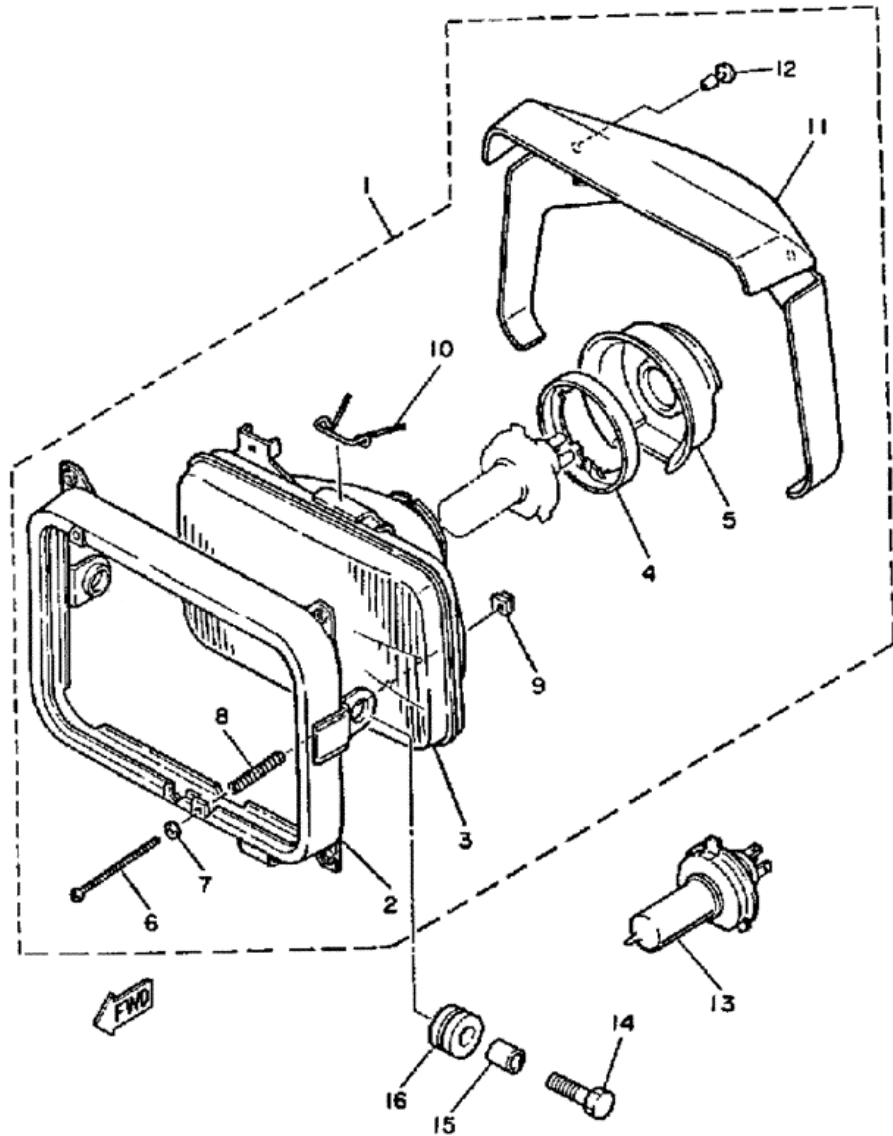
Item	Part #	Description	Req
1	5Y1-82911-01-00	HOLDER, LEVER 1	1
2	3FY-83912-01-00	LEVER 1	1
3	90109-06797-00	BOLT	1
4	90201-08083-00	WASHER, PLATE	1
5	95601-06100-00	NUT, U	1
6	97006-06022-00	BOLT	1
7	92906-06100-00	WASHER, SPRING	1
8	5Y1-83942-00-00	COVER, STARTER	1
9	5Y1-83941-00-00	LEVER, STARTER	1
10	90153-06042-00	SCREW, HEXAGON	1
11	92906-06200-00	WASHER	1
12	90209-10131-00	WASHER	1
13	3FY-83922-00-00	LEVER 2	1
14	90109-06577-00	BOLT	1
15	95616-06100-00	NUT, U	1
16	90149-06153-00	SCREW, SPEC"L SHAPE	1
17	90170-06010-00	NUT	1
18	90501-10312-00	SPRING, COMPRESSION	1
19	21T-83973-00-00	SWITCH, HANDLE 3	1
20	90157-05027-00	SCREW, PAN HEAD	1
21	98501-05030-00	SCREW, PAN HEAD	1
22	437-83936-11-00	BAND, SWITCH CORD	1
	437-83936-11-00	BAND, SWITCH CORD	2
23	437-83936-01-00	BAND, SWITCH CORD	2
24	43F-83976-00-00	SWITCH, HANDLE 1	1
25	98506-05020-00	SCREW, PAN HEAD	2
26	437-83936-01-00	BAND, SWITCH CORD	4
27	34X-83980-01-00	FRONT STOP SWITCH ASSY	1

HANDLEBAR CABLE



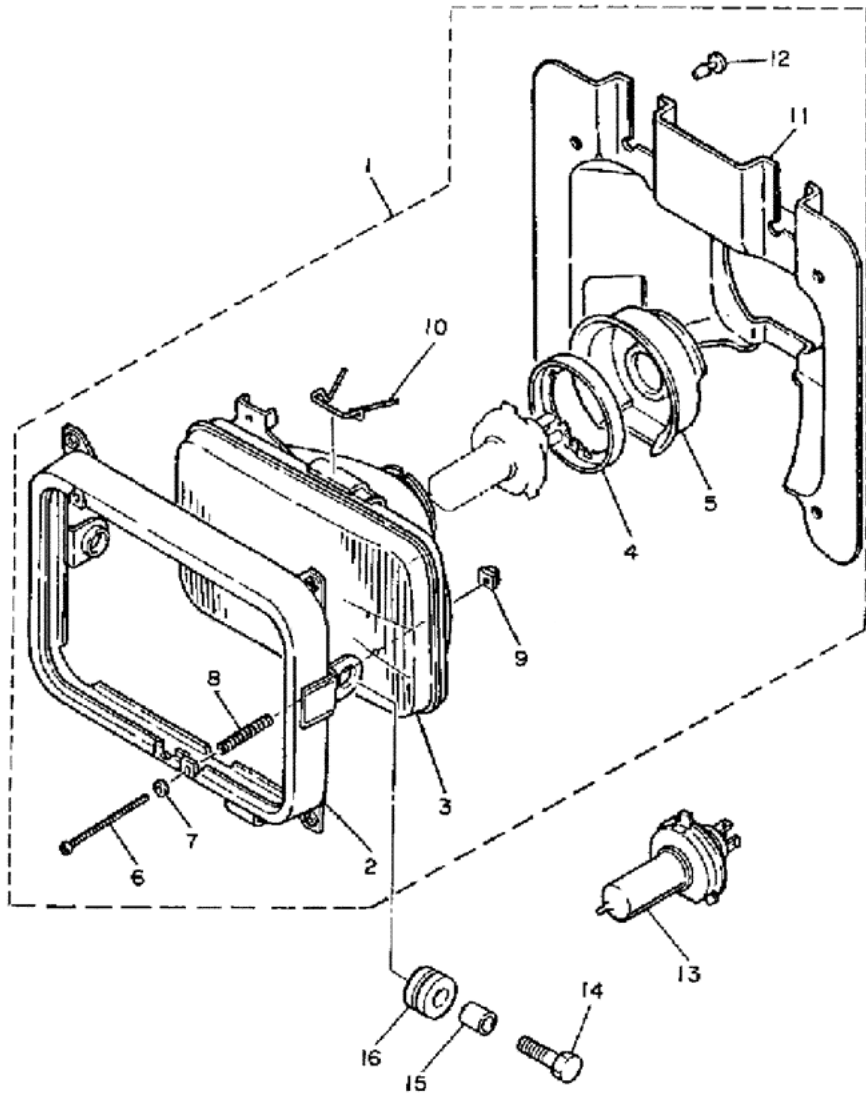
Item	Part #	Description	Req
1	34K-26111-00-00	HANDLEBAR	1
2	33G-26242-00-00	GRIP (RIGHT)	1
3	3Y1-26243-01-00	TUBE, THROTTLE GUIDE	1
4	3Y1-26249-00-00	RING, LEAF	1
5	33G-26241-00-00	GRIP (LEFT)	1
6	43F-26302-01-00	THROTTLE CABLE ASSY	1
7	90468-15009-00	CLIP	1
8	2RJ-25870-00-00	MSTR.CYL.SUB ASSY.ASSY	1
9	23L-W0041-00-00	CYL KIT, MASTR	1
10	4L0-25854-00-00	DIAPHRAGM, RESERVOIR	1
11	4H7-25852-00-00	CAP, RESERVOIR	1
12	98706-04012-00	SCREW, FLAT HEAD	2
13	4L0-25867-00-00	BRACKET, MASTER CYL	1
14	43F-25872-02-00	HOSE, BRAKE 1	1
15	97016-06025-00	BOLT	2
16	92906-06100-00	WASHER, SPRING	2
17	4L0-25862-00-00	BOOT, MASTER CYL	1
18	90401-10034-00	BOLT, UNION	2
19	90201-10118-00	WASHER, PLATE	4
20	1E6-26342-00-00	BOOT, CABLE	1
21	5YL-26335-01-00	UNAVAILABLE IN PRICE BOOK (34L-	1
22	34L-26331-00-00	CABLE, STARTER 1	1
23	90123-08046-00	BOLT	1
24	90179-08148-00	NUT	1
25	3Y1-26290-00-00	BACK MIRROR ASSY (R.H)	1
26	5Y1-26290-10-00	BACK MIRROR ASSY (L.H)	1
27	90387-227H7-00	COLLAR	1
28	5Y1-26339-00-00	BOOT	1
29	1E6-26372-00-00	COVER, HANDLE LEVER 1	1
30	1T5-26372-00-00	COVER, HANDLE LEVER 1	1

HEADLIGHT



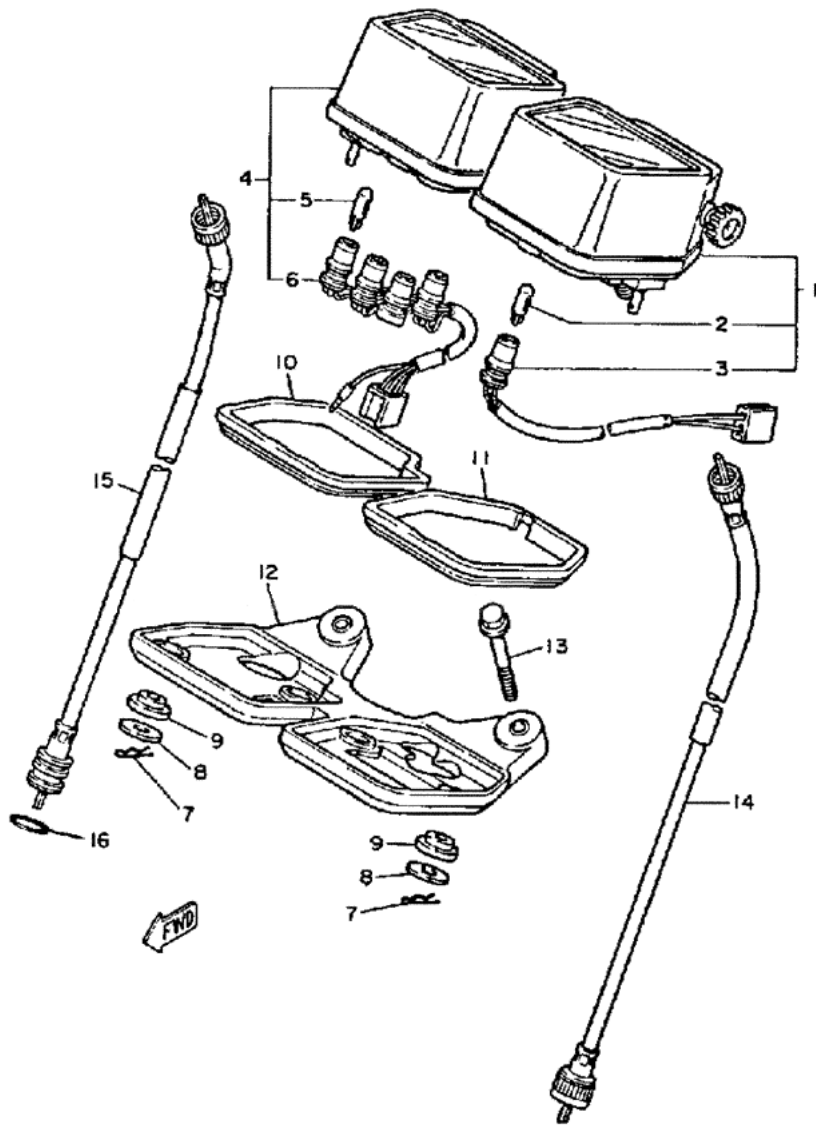
Item	Part #	Description	Req
1	49M-84303-A0-00	HEADLIGHT UNIT ASSY	1
2	4J7-84115-00-00	UNAVAILABLE IN PRICE BOOK (30	1
3	5G2-84321-A0-00	LENS, HEADLIGHT	1
4	2F9-84375-00-00	SETTING PLATE, BULB	1
5	2F9-84397-01-00	COVER, SOCKET	1
6	43F-84131-00-00	SCREW, RIM ADJUSTER	2
7	233-84127-60-00	WASHER, SPECIAL	2
8	341-84332-60-00	SPRING, SCREW	2
9	198-84334-60-00	NUT, ADJ	2
10	14T-84124-00-00	SET SPRING (5G2-84324-A0)	1
11	10V-84196-00-00	COVER, SOCKET	1
12	10V-84198-00-00	CLIP, COVER FITTING	2
13	5V2-84314-00-XX	BULB (12V-60/55W) LM	1
14	97023-06020-00	BOLT (3XF) (97302-06020)	2
15	90387-06388-00	COLLAR	2
16	90480-14023-00	GROMMET	2

HEADLIGHT 1986 -



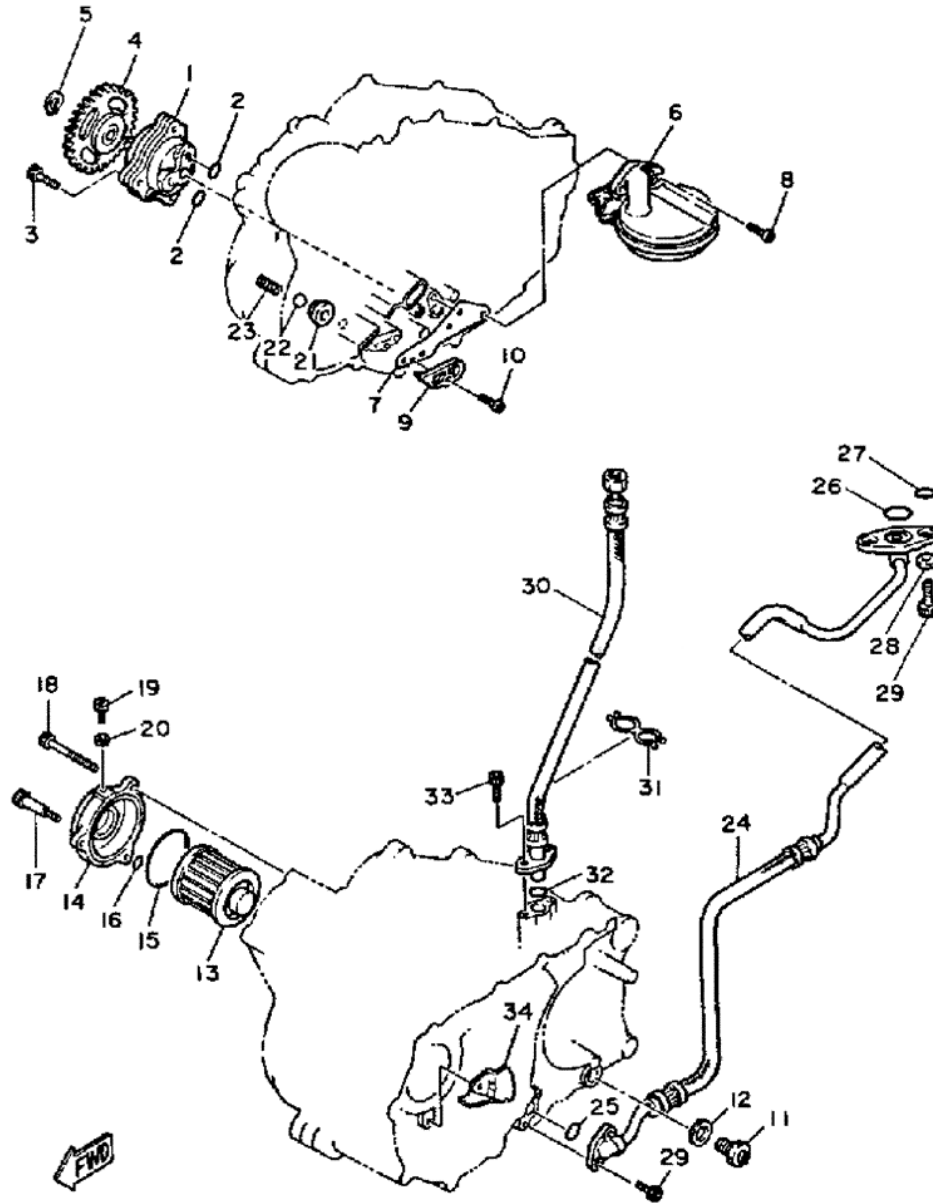
Item	Part #	Description	Req
1	49M-84303-A0-00	HEADLIGHT UNIT ASSY	1
2	47J-84115-00-00	RIM, HEADLIGHT	1
3	5G2-84321-A0-00	LENS, HEADLIGHT	1
4	2F9-84375-00-00	SETTING PLATE, BULB	1
5	2F9-84397-01-00	COVER, SOCKET	1
6	43F-84131-00-00	SCREW, RIM ADJUSTER	2
7	233-84127-60-00	WASHER, SPECIAL	2
8	341-84332-60-00	SPRING, SCREW	2
9	198-84334-60-00	NUT, ADJ	2
10	5G2-84324-A0-00	SPRING, REFLECTOR	1
11	10V-84196-00-00	COVER, SOCKET	1
12	10V-84198-00-00	CLIP, COVER FITTING	2
13	5V2-84314-00-XX	BULB (12V-60/55W) LM	1
14	97023-06020-00	BOLT (3XF) (97302-06020)	2
15	90387-06388-00	COLLAR	2
16	90480-14023-00	GROMMET	2

METER



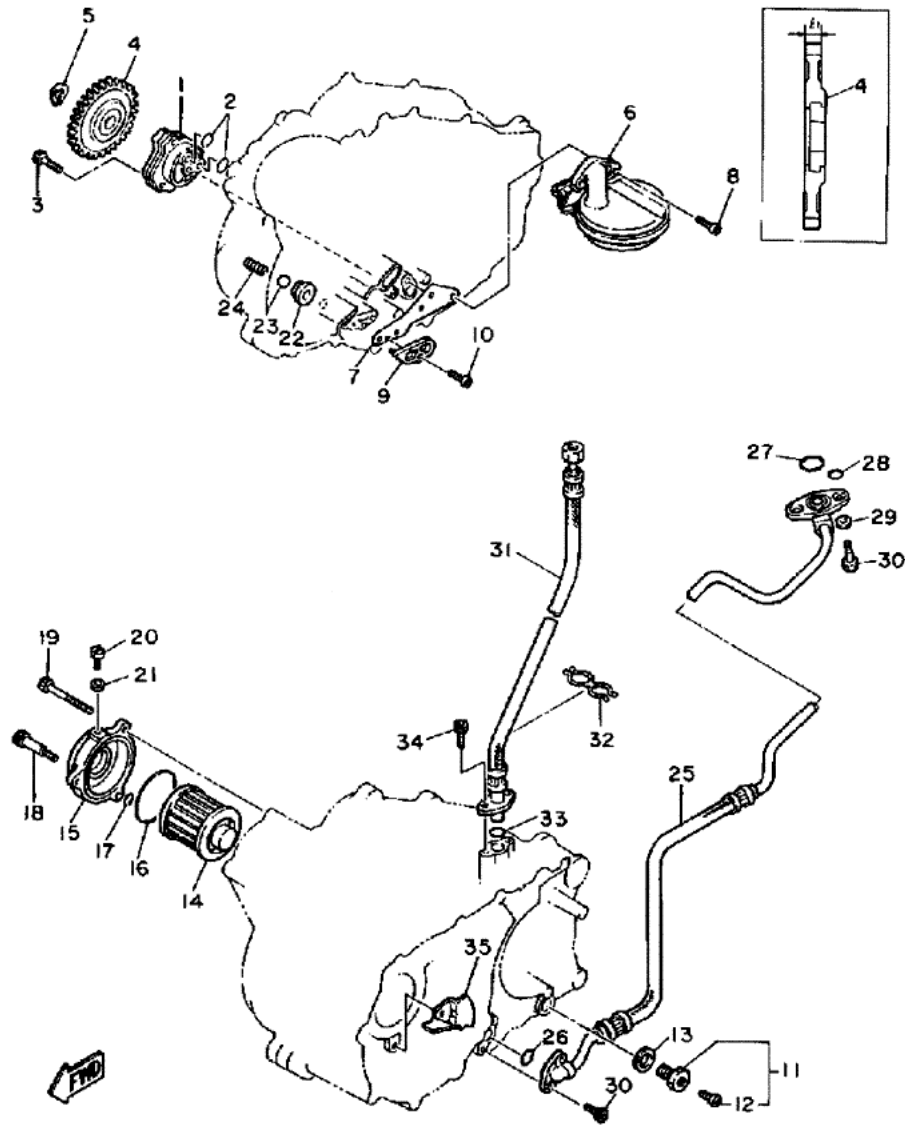
Item	Part #	Description	Req
1	43F-83570-G1-00	SPEEDOMETER ASSY	1
2	4G1-84744-00-00	BULB (12V-3.4W T-10)	1
3	2JX-83536-A0-00	SOCKET, METER	1
4	2NF-83540-00-00	TACHOMETER ASSY (49N-83540-00)	1
5	4G1-84744-00-00	BULB (12V-3.4W T-10)	4
6	5Y1-83520-00-00	SOCKET CORD ASSY (30X-83520-0)	1
7	90468-10050-00	CLIP	4
8	90201-05033-00	WASHER, PLATE	4
9	1M1-83526-00-00	DAMPER 2	4
10	5Y1-83541-00-00	DAMPER	1
11	5Y1-83513-00-00	DAMPER	1
12	5Y1-83519-00-00	BRACKET, METER	1
13	95816-06040-00	BOLT	2
14	34X-83550-01-00	SPEEDOMETER CABLE ASSY	1
15	34L-83560-01-00	TACHOMETER CABLE (34L-83560-00)	1
16	93210-14104-00	O-RING	1

OIL PUMP



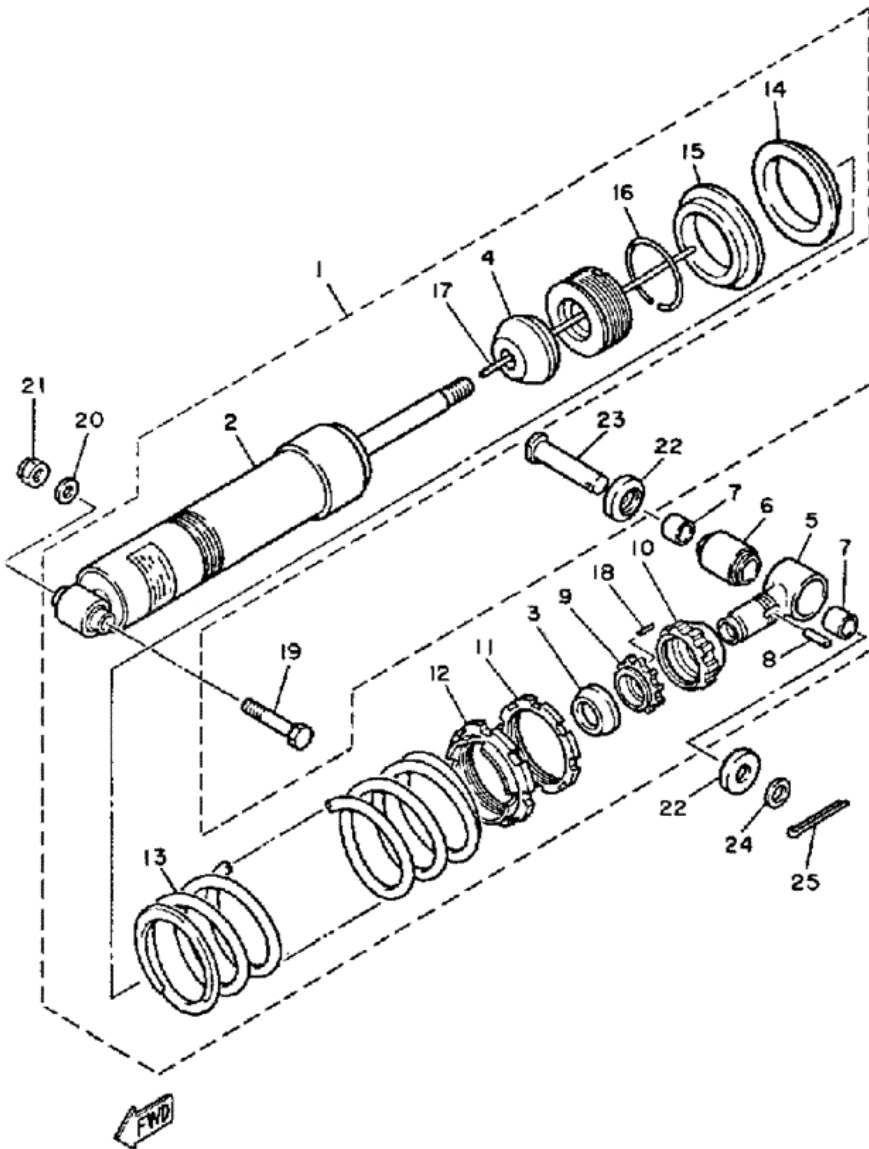
Item	Part #	Description	Req
1	99999-01858-00	OIL PUMP KIT (3AJ)	1
2	93210-13361-00	O-RING	2
3	91316-06035-00	BOLT	3
4	99999-01925-00	OIL PUMP GEAR KIT	1
5	99009-11400-00	CIRCLIP	1
6	5Y1-W1343-00-00	STRAINER COMP.	1
7	4DW-13415-00-00	SEAL, OIL STRAINER	1
8	98503-06014-00	SCREW, PAN HEAD	2
9	5Y1-15427-01-00	COVER, CAP 2	1
10	98503-06014-00	SCREW, PAN HEAD	1
11	3VD-13455-00-00	PLUG	1
12	214-11198-01-00	GASKET	1
13	4X7-13440-90-00	ELEMENT ASSY, OIL CLEANER	1
14	583-13447-01-00	COVER, OIL ELEMENT	1
15	93210-64297-00	O-RING	1
16	93210-07135-00	O-RING	1
17	90109-06419-00	BOLT	1
18	91316-06080-00	BOLT	2
19	90149-05110-00	SCREW	1
20	90430-05126-00	GASKET	1
21	583-13113-00-00	SEAT, CHECK BALL	1
22	93503-08007-00	BALL	1
23	90501-05378-00	SPRING, COMPRESSION	1
24	2KF-13464-00-00	HOSE, OIL 1	1
25	93210-10197-00	O-RING	1
26	93210-22298-00	O-RING	1
27	93210-09350-00	O-RING	2
28	90430-06166-00	GASKET	2
29	91316-06016-00	BOLT	4
30	43F-13465-00-00	HOSE, OIL 2	1
31	90464-20064-00	CLAMP	1
32	93210-15171-00	O-RING	1
33	91316-06016-00	BOLT	2
34	5Y1-13371-00-00	PLATE	1

OIL PUMP 1989 -



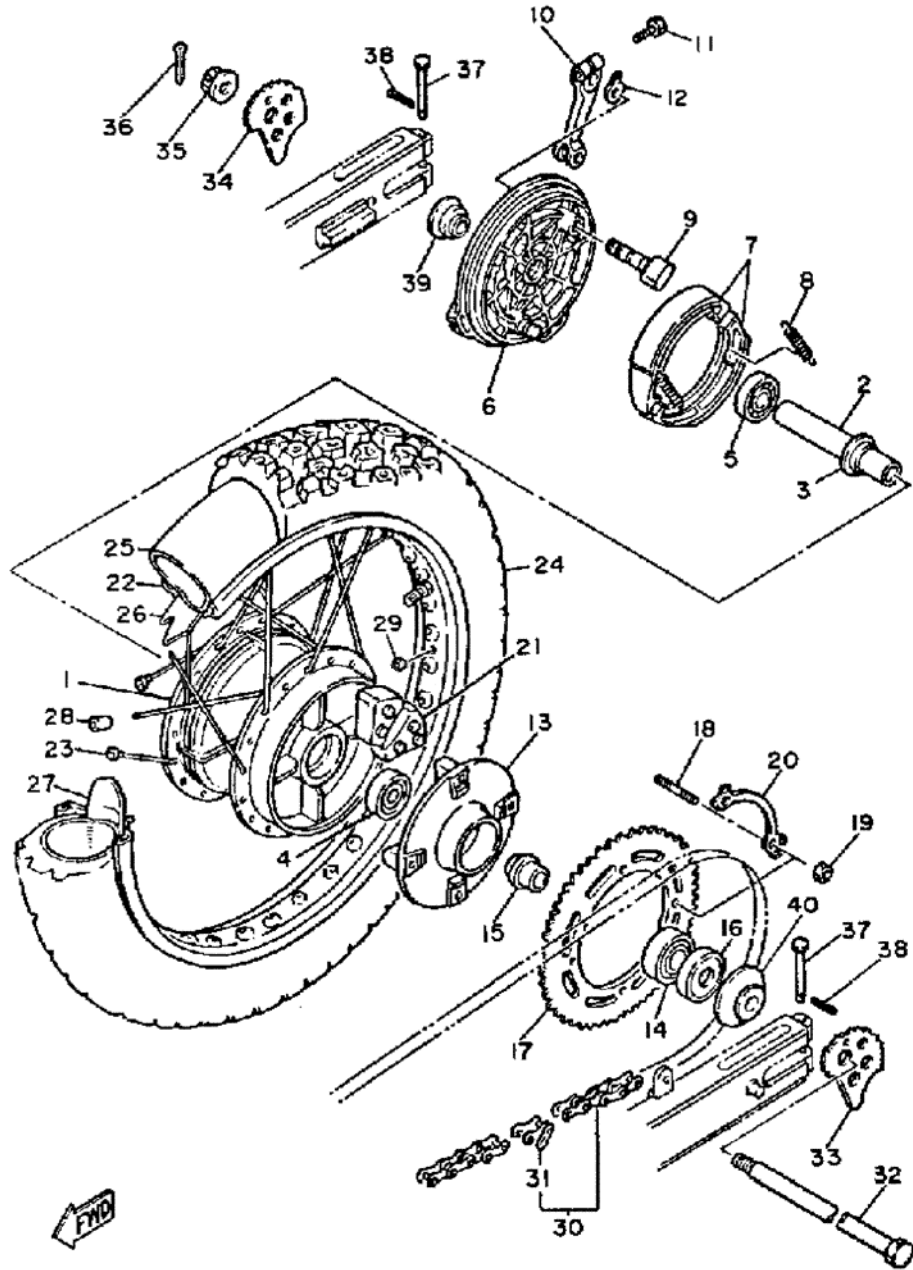
Item	Part #	Description	Req
1	1VJ-13300-01-00	OIL PUMP ASSEMBLY	1
2	93210-13361-00	.O-RING	2
3	91316-06035-00	BOLT	3
4	3AJ-13325-00-00	GEAR, PUMP DRIVEN	1
5	99009-11400-00	.CIRCLIP	1
6	5Y1-W1343-00-00	STRAINER COMP.	1
7	4DW-13415-00-00	SEAL, OIL STRAINER	1
8	98503-06014-00	SCREW, PAN HEAD	2
9	5Y1-15427-01-00	COVER, CAP 2	1
10	98503-06014-00	SCREW, PAN HEAD	1
11	3VD-13455-00-00	PLUG	1
12	98901-06008-00	SCREW, BIND	1
13	214-11198-01-00	GASKET	1
14	4X7-13440-90-00	ELEMENT ASSY, OIL CLEANER	1
15	583-13447-01-00	COVER, OIL ELEMENT	1
16	93210-64297-00	O-RING	1
17	93210-07135-00	O-RING	1
18	90109-06419-00	BOLT	1
19	91316-06080-00	BOLT	2
20	90149-05110-00	SCREW	1
21	90430-05126-00	GASKET	1
22	583-13113-00-00	SEAT, CHECK BALL	1
23	93503-08007-00	BALL	1
24	90501-043E0-00	SPRING, COMPRESSION	1
25	2KF-13464-00-00	HOSE, OIL 1	1
26	93210-10197-00	O-RING	1
27	93210-22298-00	O-RING	1
28	93210-09350-00	O-RING	2
29	90430-06166-00	GASKET	2
30	91316-06016-00	BOLT	4
31	43F-13465-00-00	HOSE, OIL 2	1
32	90464-20064-00	CLAMP	1
33	93210-15171-00	O-RING	1
34	91316-06016-00	BOLT	2
35	5Y1-13371-00-00	PLATE	1

REAR SHOCKS



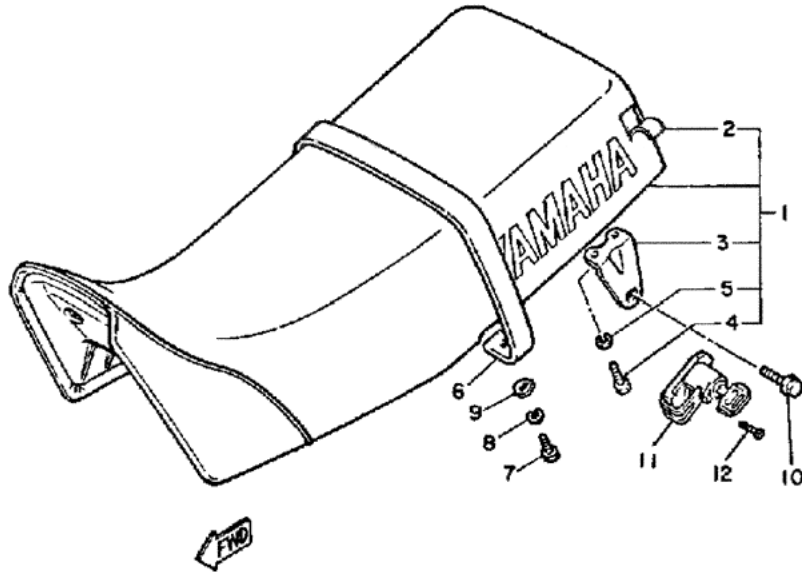
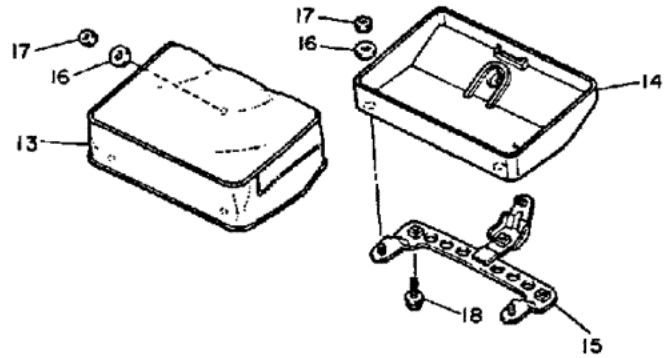
Item	Part #	Description	Req
1	50T-22210-00-6W	SHK/ABS ASSY, REAR NATIVE RED	1
2	50T-22201-00-00	DAMPER SUB ASSY	1
3	3R4-22221-01-00	COVER	1
4	50T-22493-00-00	BUMP, STOP	1
5	50T-22409-00-00	UPPER BRKT SUB ASSY	1
6	34L-22226-01-00	BUSH, SHOCK ABSORBER LOWER	1
7	90380-14130-00	BUSH, SOLID	2
8	93604-26132-00	PIN, DOWEL	1
9	50T-22497-00-00	NUT, ADJ	1
10	50T-22211-00-00	COVER	1
11	50T-22215-00-00	RING, COVER	1
12	50T-22213-00-00	SEAT, SPRING UPPER	1
13	34L-22212-00-6W	SPRING, 49N	1
14	50T-22224-00-00	GUIDE, SPRING 2	1
15	3Y1-22223-00-00	SEAT, SPRING LOWER	1
16	93440-48079-00	CIRCLIP, OUTER	1
17	93604-21193-00	PIN, DOWEL	1
18	93602-11144-00	PIN, DOWEL	1
19	90101-12498-00	BOLT	1
20	90201-12362-00	WASHER, PLATE	1
21	90185-12080-00	NUT, SELF-LOCKING	1
22	34L-22129-00-00	COVER, THRUST 2	2
23	90240-14106-00	PIN, CLEVIS	1
24	92990-14600-00	WASHER	1
25	91401-30030-00	PIN, COTTER	1

REAR WHEEL



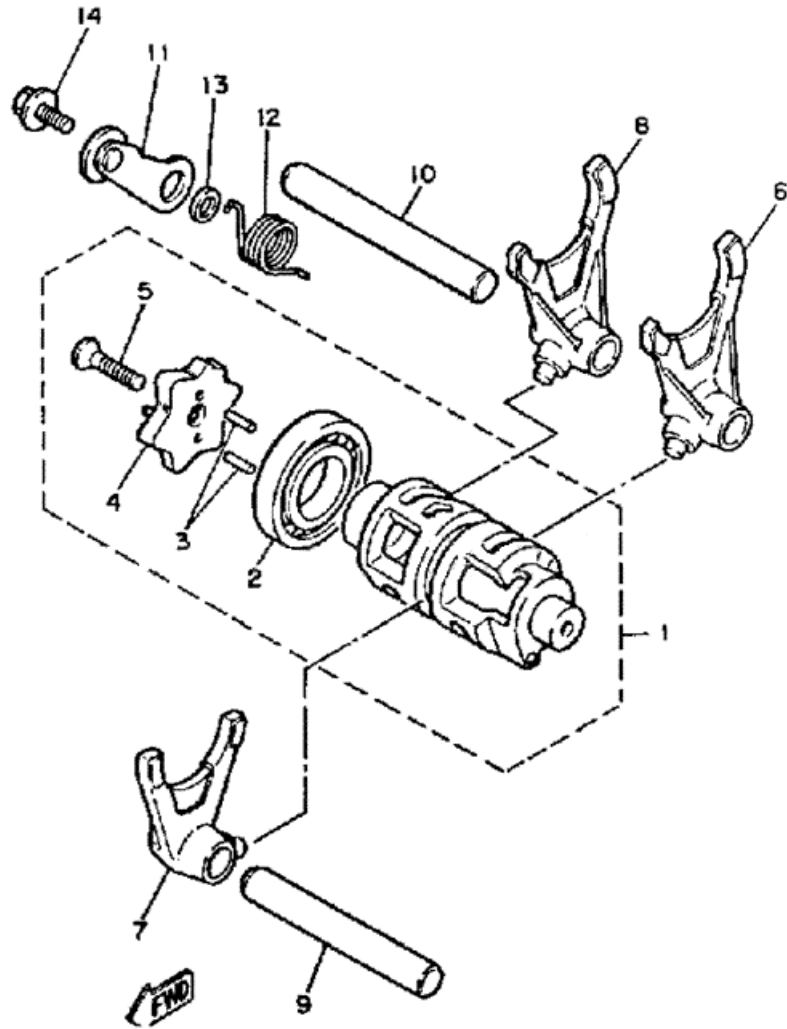
Item	Part #	Description	Req
1	5Y1-25311-00-98	HUB, REAR LW GLOSS BK	1
2	90560-17306-00	SPACER (5X4-25317-00)	1
3	146-25315-00-00	FLANGE, SPACER	1
4	93306-20310-00	BEARING (B6203DU)	1
5	93306-20310-00	BEARING (B6203DU)	1
6	34L-25321-00-98	PLATE, BRAKE SHOE LW GLOSS BK	1
7	5Y1-W2536-00-00	BRAKESHOE SET-2PCS	2
8	90507-20002-00	SPRING, TENSION	2
9	5Y1-25151-00-00	CAMSHAFT	1
10	34L-25355-00-00	LEVER, CAMSHAFT	1
11	90101-06291-00	BOLT	1
12	3Y6-2533A-01-00	PLATE, INDICATOR	1
13	5Y1-25366-00-98	CLUTCH, HUB LW GLOSS BK	1
14	93306-30416-00	BEARING (B6304RS)	1
15	5Y1-25377-00-00	COLLAR, WHEEL	1
16	93102-30072-00	OIL SEAL, SD-TYPE	1
17	5Y1-25442-20-00	SPROCKET, DRIVN 42T	1
18	90116-10348-00	BOLT, STUD	4
19	95701-10500-00	NUT, FLANGE	4
20	5Y1-25412-00-00	WASHER	2
21	5Y1-25364-00-00	DAMPER	4
22	94425-18421-00	RIM (2.50X18)	1
23	34L-25304-00-00	SPOKE SET, REAR	1
24	94146-181N2-00	460-18 TW26 (TT) BRIDGESTONE	1
25	94212-18171-00	TUBE 120/90-18 (120/90-18) BRIDGESTONE	1
26	94340-18086-00	BAND, RIM (4.00-18) BRIDGESTONE	1
27	2X5-25394-00-00	SPACER, BEAD	1
28	156-25398-00-00	BALANCER, WHEEL U.N.	1
29	90480-10068-00	GROMMET	1
30	94581-08104-00	CHAIN (D.I.D 520V6 104LL)	1
31	94680-50011-00	JOINT, CHAIN (34L) (D.I.D.50H)	1
32	43F-25381-00-00	AXLE, WHEEL	1
33	3Y1-25389-00-00	PULLER, CHAIN 2	1
34	3Y1-25388-01-00	PULLER, CHAIN 1	1
35	90171-16024-00	NUT, CASTLE	1
36	91401-30030-00	PIN, COTTER	1
37	91701-05055-00	PIN, CLEVIS	2
38	91490-16020-00	PIN, COTTER (91402-16015)	2
39	90387-175K6-00	COLLAR	1
40	43F-25383-00-00	COLLAR, WHEEL	1

SEAT



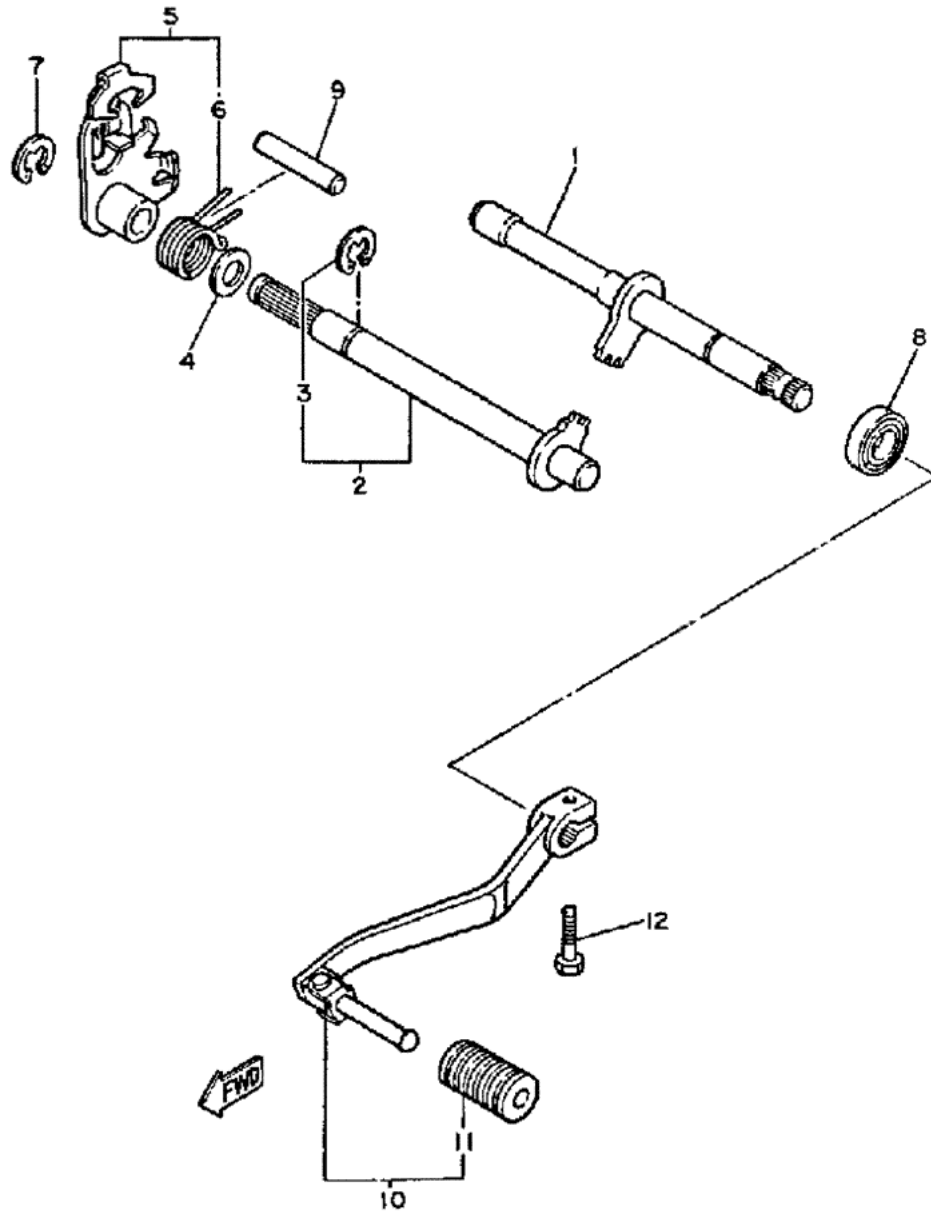
Item	Part #	Description	Req
1	43F-24770-10-00	SEMI-DBL SEAT ASSY	1
2	43F-24731-00-00	COVER, DOUBLE SEAT	1
3	43F-24738-00-00	BRACKET, SEAT	2
4	97313-06016-00	BOLT	4
5	92995-06100-00	WASHER, SPRING	4
6	43F-24734-00-00	BAND, SEAT	1
7	97313-06016-00	BOLT	2
8	92995-06100-00	WASHER, SPRING	2
9	90206-06765-00	WASHER, WAVE	2
10	95811-06010-00	BOLT, FLANGE	2
11	55E-21308-00-00	HELMET HANGER ASSY	2
12	98701-06014-00	SCREW, FLAT HEAD	1
13	33G-24850-00-00	CARRIER BOX ASSY	1
14	33G-24833-00-00	BRACKET, CARRIER 2	1
15	49R-24884-00-00	STAY, DOCUMENT BOX	1
16	90201-061A5-00	WASHER, PLATE	3
17	95380-06700-00	NUT	3
18	90119-06042-00	BOLT, WITH WASHER	3

SHIFT CAM FORK



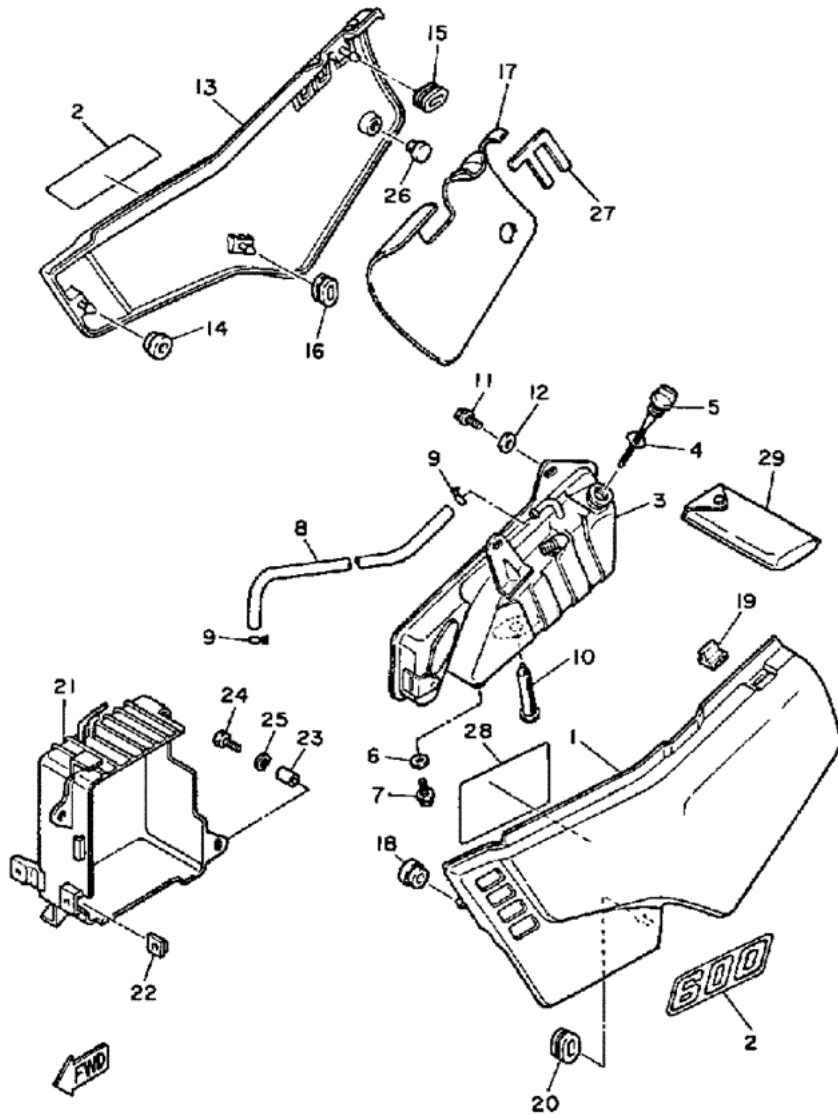
Item	Part #	Description	Req
1	3YF-18540-00-00	SHIFT CAM ASSY	1
2	93316-00503-00	BEARING, CYL.#16 (93316-00504	1
3	93604-10011-00	PIN, DOWEL	2
4	5Y1-18185-00-00	SEGMENT	1
5	90151-06017-00	SCREW, COUNTERSUNK	1
6	5Y1-18511-00-00	FORK, SHIFT 1	1
7	5Y1-18512-00-00	FORK, SHIFT 2	1
8	5Y1-18513-00-00	FORK, SHIFT 3	1
9	3YF-18531-00-00	BAR, SHIFT FORK GUIDE 1	1
10	34K-18535-00-00	BAR, SHIFT FORK GUIDE 2	1
11	34K-18140-00-00	STOPPER LEVER ASSY	1
12	90508-29527-00	SPRING, TORSION	1
13	90387-063F7-00	COLLAR	1
14	90159-06078-00	SCREW, WITH WASHER	1

SHIFT SHAFT



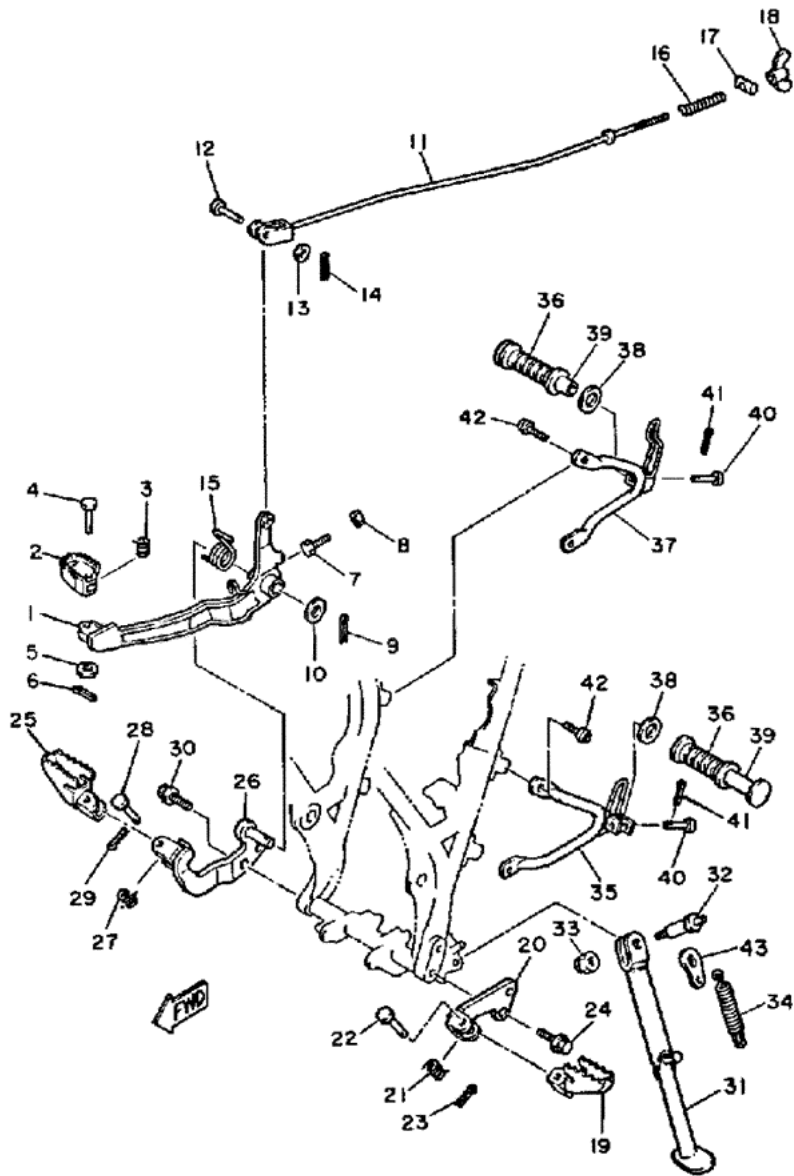
Item	Part #	Description	Req
1	43F-18102-02-00	SHIFT SHAFT ASSY 2	1
2	5Y1-18101-02-00	SHIFT SHAFT ASSY	1
3	99006-10600-00	CIRCLIP	1
4	90201-12474-00	WASHER, PLATE	1
5	34K-18120-00-00	SHIFT LEVER ASSY	1
6	90508-29629-00	SPRING, TORSION	1
7	99001-09600-00	CIRCLIP	1
8	93102-12321-00	OIL SEAL, SD-TYPE	1
9	93608-33046-00	PIN, DOWEL	1
10	34L-18110-00-00	SHIFT PEDAL ASSY	1
11	1W6-18113-00-00	COVER, SHIFT PEDAL	1
12	97016-06020-00	BOLT	1

SIDE COVER OIL TANK



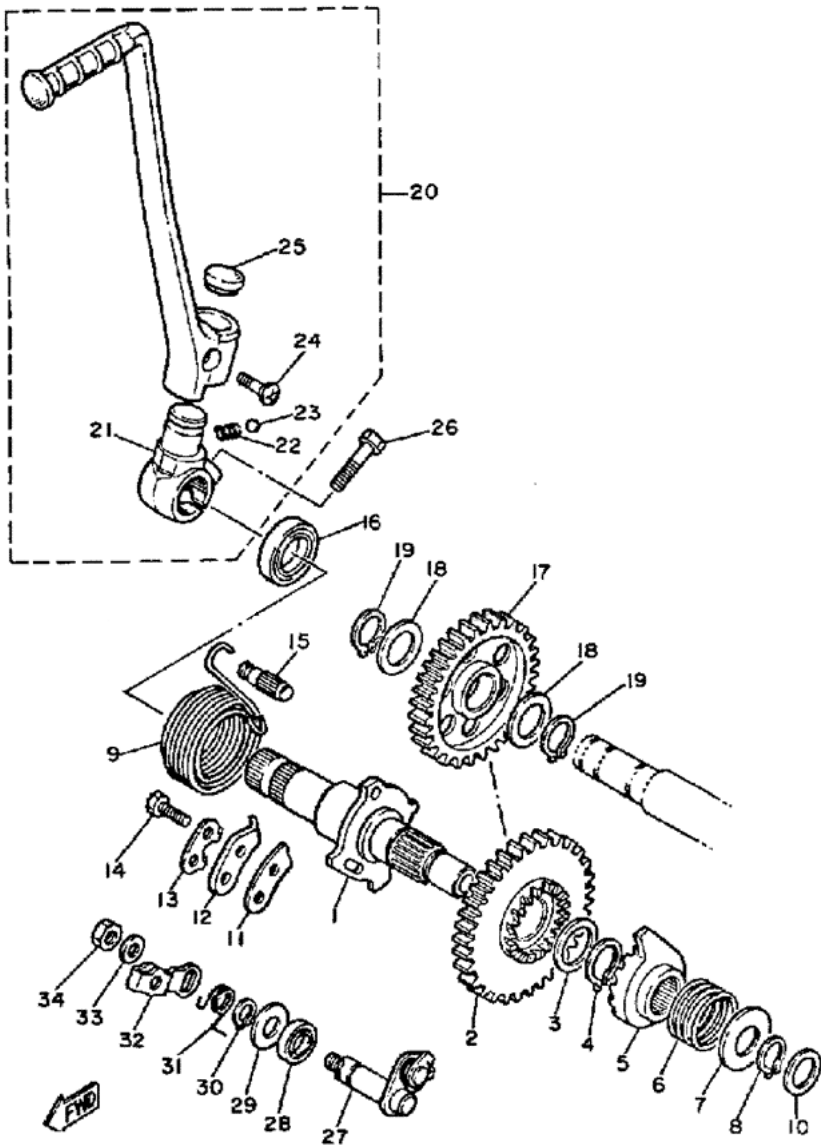
Item	Part #	Description	Req
1	43F-21711-00-98	COVER, SIDE 1 LW GLOSS BLK	1
2	49R-21781-00-00	EMBLEM 1	2
3	34L-21750-02-00	OIL TANK ASSY	1
4	93210-21190-00	O-RING	1
5	34L-21761-01-00	GAUGE, LEVEL	1
6	90201-08087-00	WASHER, PLATE	1
7	95811-08012-00	BOLT, FLANGE (95801-08012-00)	1
8	90445-11753-00	HOSE	1
9	90467-10008-00	CLIP	2
10	1VJ-21756-00-00	NET, FILTER	1
11	95811-08012-00	BOLT, FLANGE (95801-08012-00)	3
12	90201-08730-00	WASHER, PLATE	1
13	43F-21721-00-98	COVER, SIDE 2 LW GLOSS BLK	1
14	90480-13398-00	GROMMET	1
15	90480-01401-00	GROMMET	1
16	90480-01385-00	GROMMET	1
17	43F-2174A-00-00	INSULATOR, SIDE CVR	1
18	90480-13398-00	GROMMET	1
19	43F-21773-00-00	GROMMET	1
20	90480-01385-00	GROMMET	1
21	34L-2177G-00-00	BOX, BATTERY	1
22	4H7-14484-00-00	PLATE, CLNR CS FTNG	2
23	90387-06500-00	COLLAR	2
24	97313-06016-00	BOLT	2
25	92995-06100-00	WASHER, SPRING	2
26	30X-24768-00-00	STOPPER	1
27	43F-2174A-10-00	INSULATOR, SIDE CVR	1
28	49N-21683-60-00	PLATE, SPEC	1
	49N-21683-61-00	PLATE, SPEC	1
29	3YF-28100-00-00	TOOL KIT	1

STAND FOOTREST



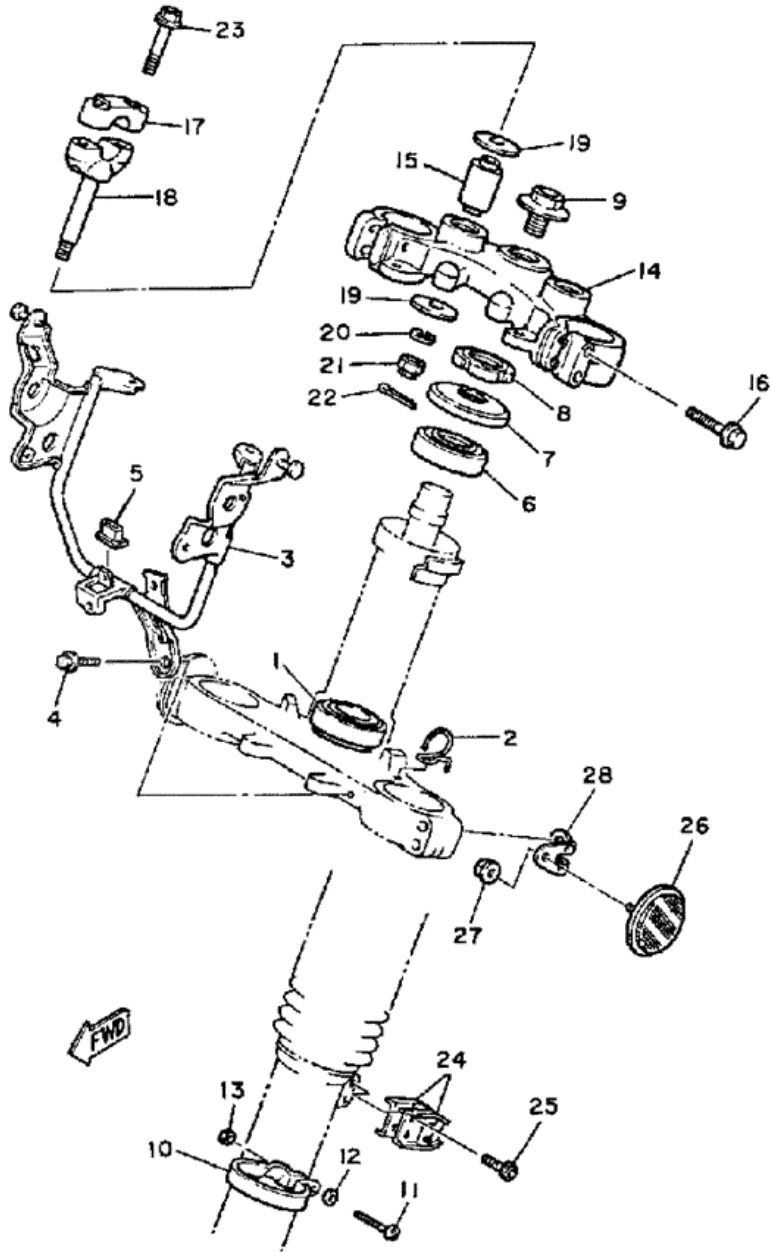
Item	Part #	Description	Req
1	1VJ-27200-00-90	PEDAL, BRAKE UNI CHROME (BLACK)	1
2	55V-27242-00-00	PEDAL, BRAKE	1
3	90508-14352-00	SPRING, TORSION	1
4	91701-06022-00	PIN, CLEVIS	1
5	90201-061A5-00	WASHER, PLATE	1
6	91490-20020-00	PIN, COTTER	1
7	90101-06288-00	BOLT	1
8	95380-06600-00	NUT, HEXAGON	1
9	91401-30020-00	PIN, COTTER	1
10	90201-14215-00	WASHER, PLATE	1
11	43F-27231-00-00	ROD, BRAKE	1
12	90240-06103-00	PIN, CLEVIS	1
13	92990-06200-00	WASHER, PLAIN	1
14	91490-20020-00	PIN, COTTER	1
15	90508-32690-00	SPRING, TORSION	1
16	90501-10245-00	SPRING, COMPRESSION	1
17	90249-12008-00	PIN	1
18	90179-06411-00	NUT	1
19	22W-27411-01-90	FOOTREST 1 UNI CHROME (BLACK)	1
20	34L-27412-00-R4	BRACKET, FOOTREST 1 BLACK	1
21	90508-20023-00	SPRING, TORSION	1
22	91701-08038-00	PIN, CLEVIS	1
23	91401-25020-00	PIN, COTTER	1
24	95811-10025-00	BOLT, FLANGE	2
25	22W-27421-01-90	FOOTREST 2 (3R1-27421-00) UNI CHROME (BLACK)	1
26	34L-27422-01-00	BRACKET, FOOTREST 2 (34L-27422- BLACK	1
27	90508-20023-00	SPRING, TORSION	1
28	91701-08038-00	PIN, CLEVIS	1
29	91401-25020-00	PIN, COTTER	1
30	95811-10025-00	BOLT, FLANGE	2
31	34L-27311-01-R4	STAND, SIDE	1
32	90109-103A1-00	BOLT	1
33	90185-10037-00	NUT, SELF-LOCKING	1
34	90506-29360-00	SPRING, TENSION	1
35	26F-27432-00-FH	BRACKET 1 FIRE RED	1
36	120-27433-00-00	COVER, REAR FOOTREST	2
37	50T-27442-00-FH	BRACKET 2 FIRE RED	1
38	90201-20279-00	WASHER, PLATE	2
39	120-27431-00-00	FOOTREST, REAR 1	2
40	90240-06009-00	PIN, CLEVIS	2
41	91490-16020-00	PIN, COTTER (91402-16015)	2
42	90109-08789-00	BOLT	4
43	5Y1-27315-00-00	LINK, SIDE STAND	1

STARTER



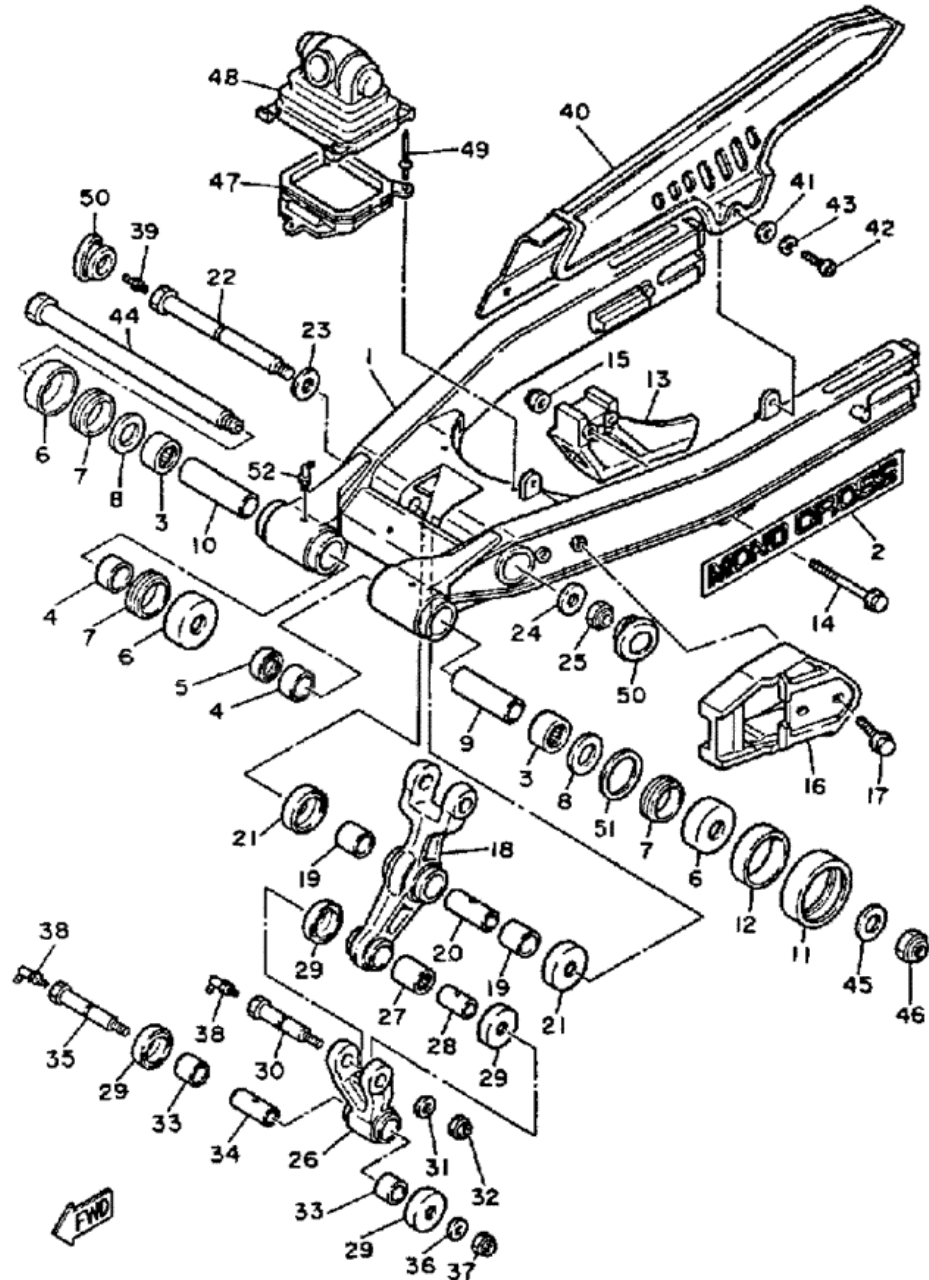
Item	Part #	Description	Req
1	5Y1-15660-01-00	KICK CRANK ASSY	1
2	34K-15641-00-00	GEAR, KICK	1
3	90201-20685-00	WASHER, PLATE (0.5T)	1
4	93410-20038-00	CIRCLIP	1
5	5Y1-15671-01-00	WHEEL, RATCHET (5Y1-15671-00)	1
6	90501-16107-00	SPRING, COMPRESSION	1
7	90201-155K6-00	WASHER, PLATE	1
8	99009-15400-00	CIRCLIP	1
9	90508-32529-00	SPRING, TORSION	1
10	90201-15701-00	WASHER, PLATE (1.0T)	1
11	2NX-15668-00-00	STOPPER	1
12	2NX-15674-00-00	GUIDE, RATCHET WHEEL	1
13	214-15686-00-00	WASHER, LOCK	1
14	97313-08016-00	BOLT, HEXAGON	2
15	248-15668-00-00	STOPPER	1
16	93102-20108-00	OIL SEAL	1
17	5Y1-15651-01-00	GEAR, KICK IDLE	1
18	90201-20276-00	WASHER, PLATE (1.0T)	2
19	99009-20400-00	CIRCLIP	2
20	5Y1-15620-02-00	KICK CRANK ASSY	1
21	5Y1-15621-01-00	BOSS, KICK CRANK	1
22	90501-12081-00	SPRING, COMPRESSION	1
23	93507-32031-00	BALL	1
24	90157-06048-00	SCREW, PAN HEAD - (90152-0601	1
25	90336-18038-00	PLUG, TAPER	1
26	97313-08030-00	BOLT, HEXAGON	1
27	3Y1-1561A-02-00	LEVER DCOMP ASSY	1
28	93102-10207-00	OIL SEAL (SD 10-21-5 HS)	1
29	90201-105J4-00	WASHER, PLATE	1
30	99009-10400-00	CIRCLIP	1
31	90508-14524-00	SPRING, TORSION	1
32	5Y1-1561G-00-00	LEVER, CABLE	1
33	90201-061A5-00	WASHER, PLATE	1
34	95311-06700-00	NUT	1

STEERING



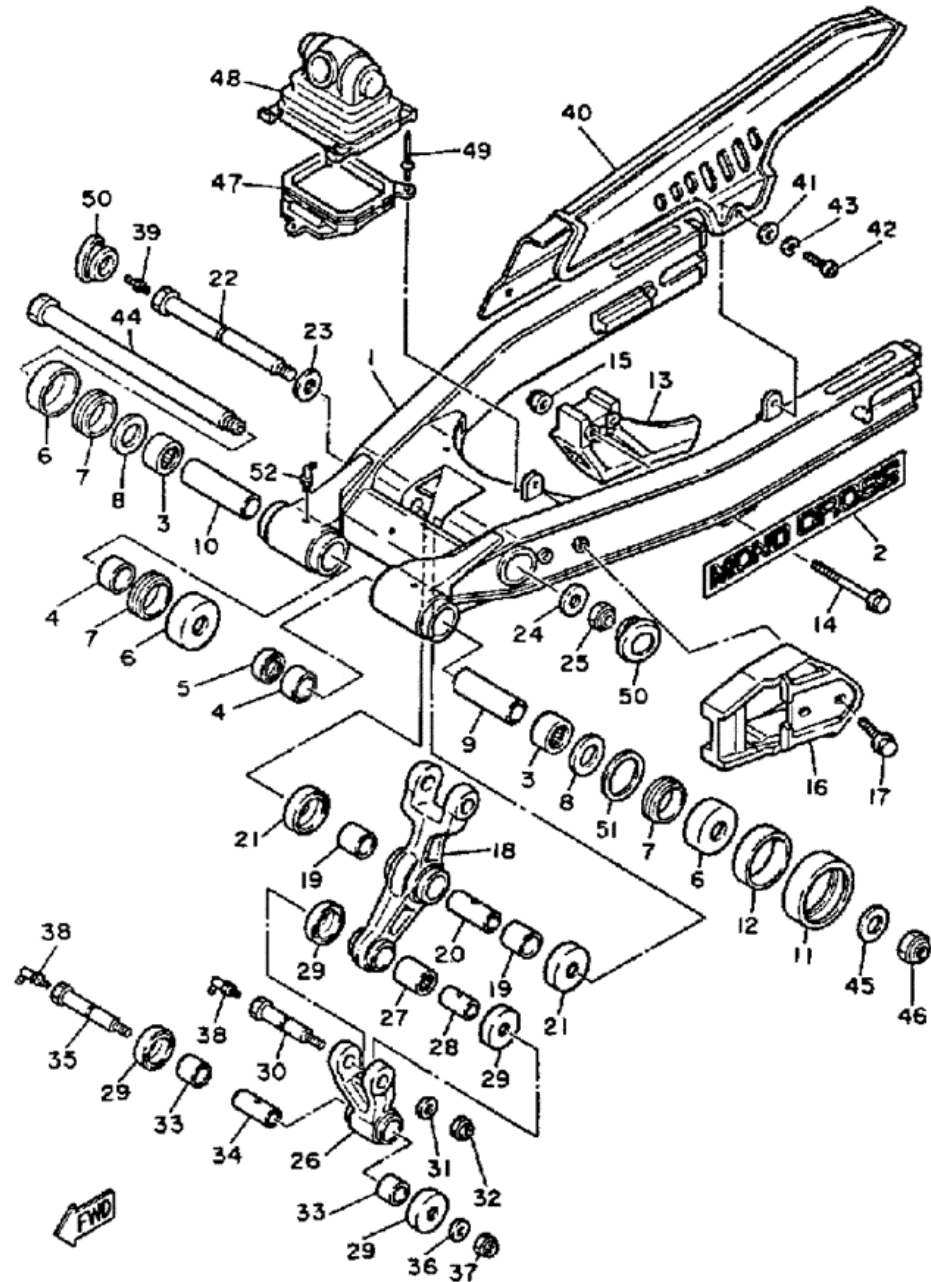
Item	Part #	Description	Req
1	93332-00008-00	BEARING	1
2	36X-2331E-00-00	GUIDE, CABLE	1
3	43F-23174-00-00	STAY, HEADLIGHT	1
4	95816-06012-00	BOLT, FLANGE	1
5	30X-23445-00-00	DAMPER	1
6	93332-00001-00	BEARING	1
7	3HE-23416-00-00	COVER, BALL RACE 2	1
8	90179-25033-00	NUT	1
9	90105-14102-00	BOLT, WASHER BASED	1
10	34L-23318-01-00	HOLDER, CABLE 1	1
11	98580-05020-00	SCREW, PAN HEAD	1
12	92901-05600-00	WASHER, PLATE	1
13	95380-05600-00	NUT	1
14	34L-23435-00-98	CROWN, HANDLE LW GLOSS BK	1
15	3Y6-23434-00-00	HOLDER, DAMPER	2
16	95816-08040-00	BOLT, FLANGE	4
17	1E6-23441-00-00	HOLDER, HANDLE LW GLOSS BK	2
18	3Y6-23442-00-98	HOLDER, HANDLE LOWER LW GLOSS BK	2
19	90201-100A1-00	WASHER, PLATE	4
20	92990-10100-00	WASHER, SPRING	2
21	95303-10700-00	NUT	2
22	90468-12006-00	CLIP	2
23	95816-08035-00	BOLT, FLANGE	4
24	90465-14242-00	CLAMP	2
25	91316-06012-00	BOLT	2
26	355-85111-01-00	REFLECTOR, FRONT 1	2
27	95701-05500-00	NUT, FLANGE	2
28	49R-85112-00-00	BRACKET, REFLECTOR 1	2

SWING ARM



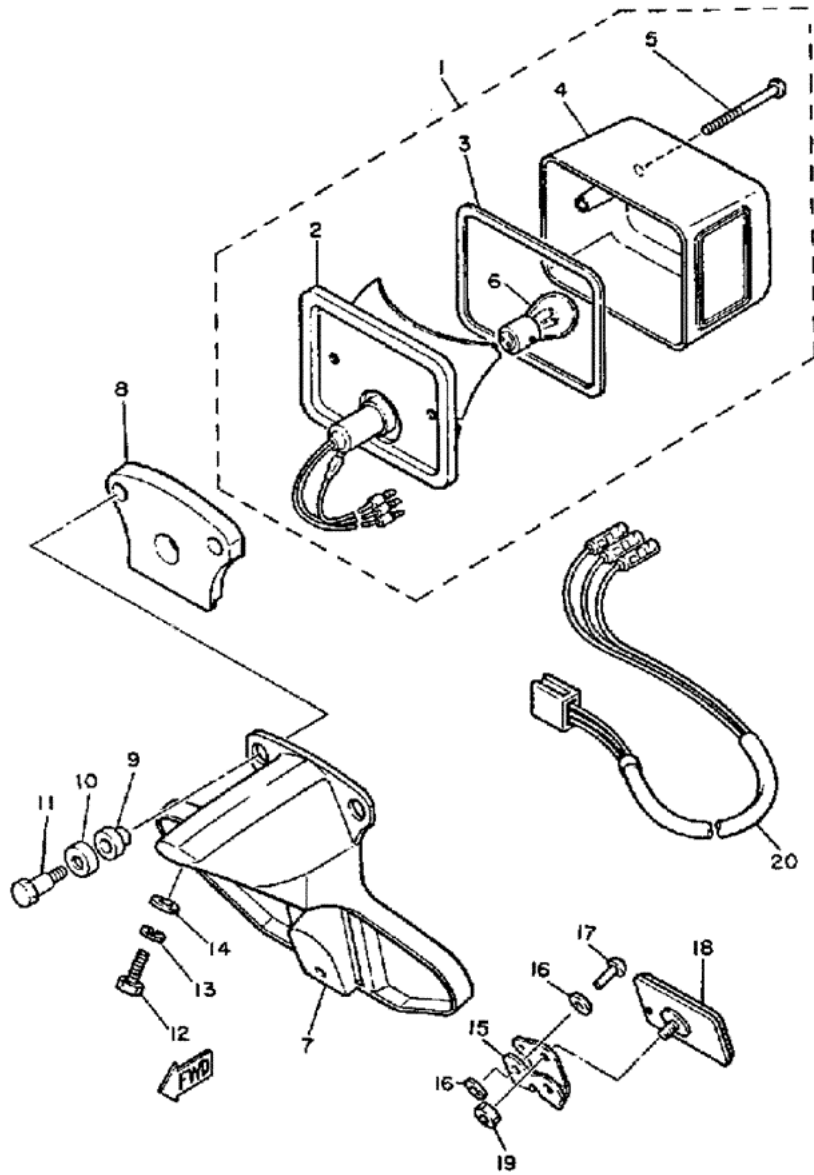
Item	Part #	Description	Req
1	43F-22110-01-00	REAR ARM	1
2	34L-2218A-10-00	REFLECTOR FOR W - Color Info (W:WHITE:0036)	2
3	93317-32231-00	BEARING	1
4	90380-22111-00	BUSH, SOLID	2
5	93106-22019-00	OIL SEAL (DC 22-28-8)	1
6	2K6-22128-01-00	COVER, THRUST 1	3
7	93108-35004-00	OIL SEAL (35-41-8)	3
8	90201-244A8-00	WASHER, PLATE	2
9	34L-22123-00-00	BUSH 1	1
10	34L-22124-00-00	BUSH 2	1
11	5X6-22151-10-00	SEAL, GUARD	1
12	90387-440G3-00	COLLAR	1
13	34L-22153-00-00	GUARD, CHAIN	1
14	95811-06050-00	BOLT, FLANGE	2
15	95701-06500-00	NUT, FLANGE	2
16	34L-22147-00-00	PROTECTOR, CHAIN	1
17	90119-06101-00	BOLT, WITH WASHER	2
18	34L-2217A-00-00	ARM, RELAY	1
19	90386-20120-00	BUSH	2
20	90380-14095-00	BUSH, SOLID	1
21	34L-22128-00-00	COVER, THRUST 1	2
22	90109-120A3-00	BOLT	1
23	90201-140G9-00	WASHER, PLATE (90201-14707)	1
24	90201-120A5-00	WASHER, PLATE	1
25	90185-12119-00	NUT, SELF-LOCKING	1
26	34L-2217F-00-00	ROD, CONNECTING 1	1
27	93315-31732-00	BEARING, CYLINDRICAL	1
28	90387-121H1-00	COLLAR	1
29	55K-22129-00-00	COVER, THRUST 2	4
30	90109-10759-00	BOLT	1
31	90201-100E9-00	WASHER, PLATE	1
32	90185-10120-00	NUT, SELF-LOCKING	2
33	90386-20123-00	BUSH	2
34	90387-122J6-00	COLLAR	1
35	90109-10760-00	BOLT	1
36	90201-100E7-00	UNAVAILABLE IN PRICE BOOK (9020	1
37	90185-10120-00	NUT, SELF-LOCKING	1
38	93700-06005-00	NIPPLE, GREASE	2
39	93700-06M03-00	NIPPLE, GREASE	1
40	3TB-22311-00-00	CASE, CHAIN	1
41	90201-062A8-00	WASHER, PLATE	2
42	98516-06012-00	SCREW, PAN HEAD	2
43	92906-06100-00	WASHER, SPRING	2
44	34K-22141-01-00	SHAFT, PIVOT	1
45	90201-15238-00	WASHER, PLATE	1

SWING ARM - 2



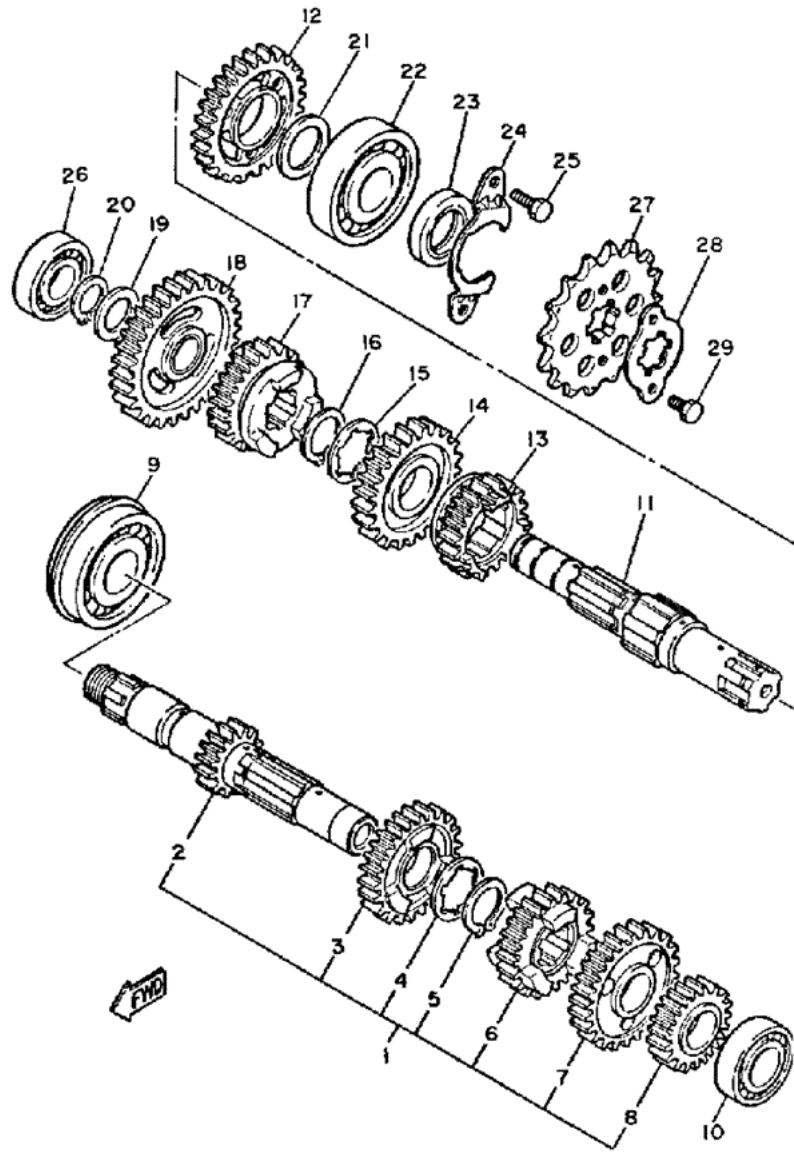
Item	Part #	Description	Req
46	90185-14070-00	NUT, SELF-LOCKING	1
	90185-14116-00	NUT, SELF-LOCKING	1
47	34L-2216G-00-00	SUPPORT, BOOT	1
48	34L-22189-00-00	BOOT, RUBBER	1
49	90267-32072-00	RIVET, BLIND	3
50	34L-22117-00-00	CAP	2
51	90201-251F6-00	WASHER, PLATE U.N.	1
52	93700-06005-00	NIPPLE, GREASE	2

TAILLIGHT



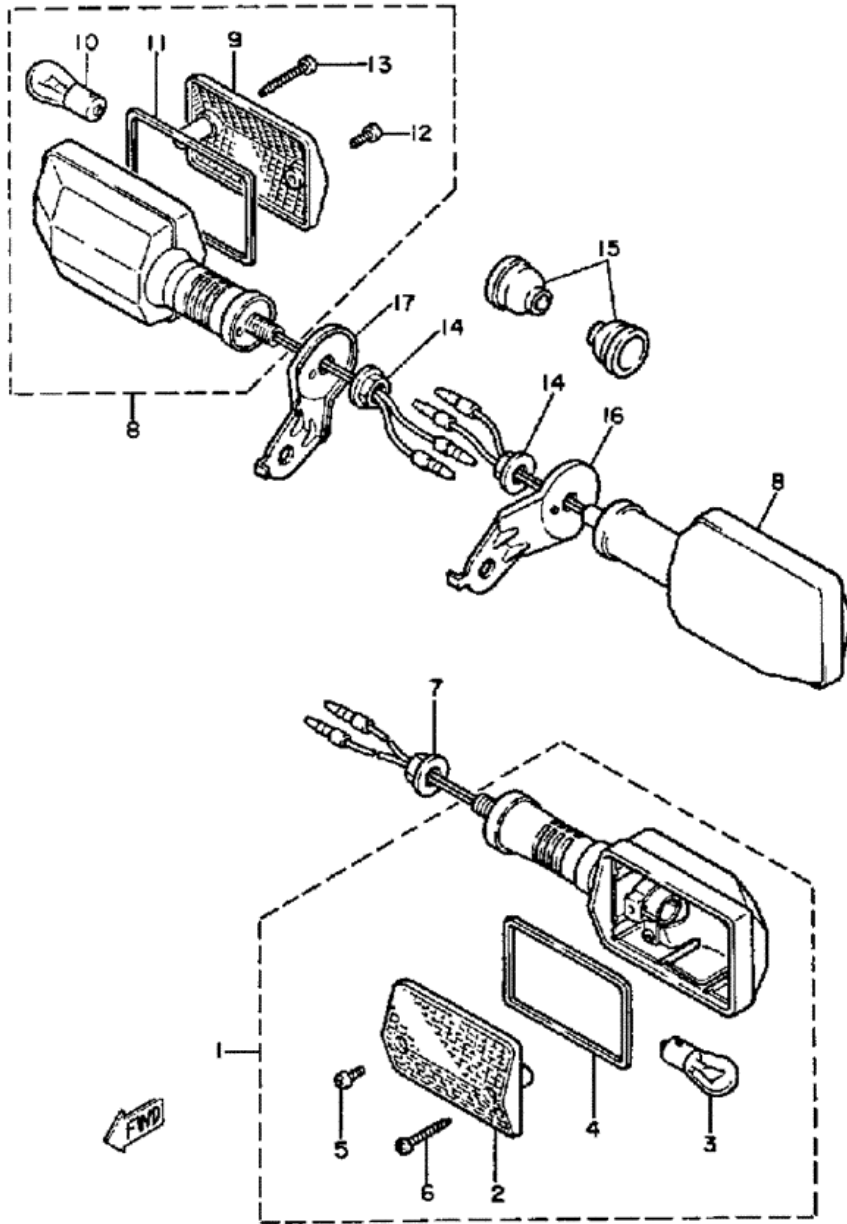
Item	Part #	Description	Req
1	1W9-84710-60-00	TAILLIGHT UNIT ASSY	1
2	1M1-84511-60-00	BASE, TAILLIGHT	1
3	1M1-84523-60-00	GASKET, LENS	1
4	1M1-84521-60-00	LENS, TAILLIGHT	1
5	1M1-84524-60-00	SCREW, LENS FITTING	2
6	256-84714-61-00	BULB (12V-27/8W)	1
7	49M-84551-00-00	BRACKET, LICENCE	1
8	1M1-84512-60-00	SEAT, BASE	1
9	1M1-84527-60-00	DAMPER	2
10	2H7-84754-00-00	WASHER, SPECIAL	2
11	90109-06562-00	BOLT	2
12	97011-06020-00	BOLT	3
13	92995-06100-00	WASHER, SPRING	3
14	90201-062G3-00	WASHER, PLATE	3
15	33G-85132-01-00	BRACKET, REFLECTOR 1	1
16	90201-044A2-00	WASHER, PLATE	2
17	90267-40076-00	RIVET, BLIND	2
18	3G1-85130-01-00	REAR REFLECTOR ASSY	1
19	95380-05600-00	NUT	1
20	5Y1-84717-00-00	CORD, TAILLIGHT	1

TRANSMISSION



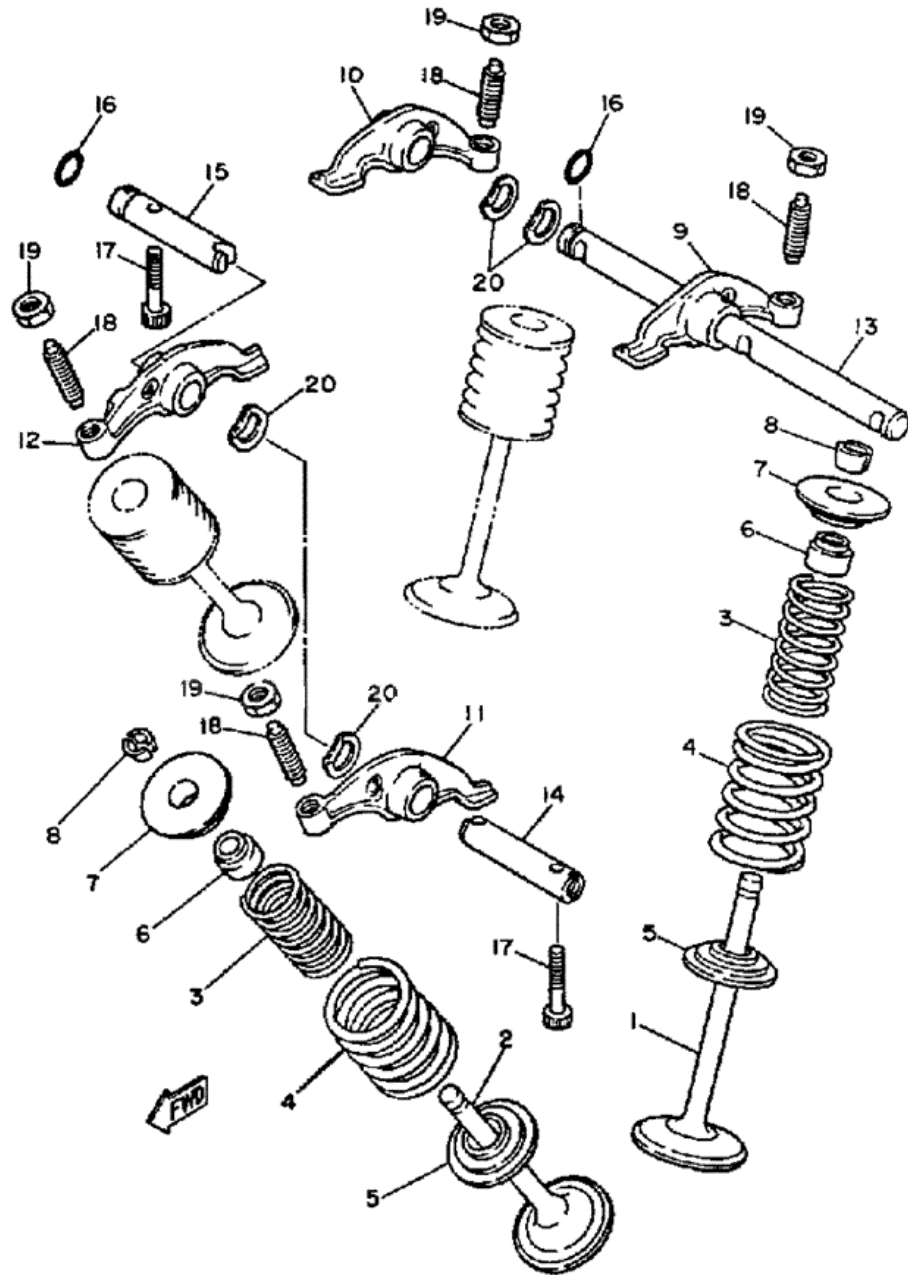
Item	Part #	Description	Req
1	43F-17410-00-00	MAIN AXLE	1
2	34L-17411-00-00	AXLE, MAIN	1
3	34K-17141-00-00	GEAR, 4TH PINION (22T)	1
4	90209-22191-00	WASHER	1
5	93440-25084-00	CIRCLIP	1
6	5Y1-17131-00-00	GEAR, 3RD PINION (20T)	1
7	5Y1-17151-01-00	GEAR, 5TH PINION	1
8	34K-17121-01-00	GEAR, 2ND PINION (17T)	1
9	93306-20540-00	BEARING	1
10	93306-00431-00	BEARING	1
11	34K-17402-01-00	DRIVE AXLE ASSY	1
12	5Y1-17221-01-00	GEAR, 2ND WHEEL	1
13	5Y1-17251-00-00	GEAR, 5TH WHEEL	1
14	34K-17231-00-00	GEAR, 3RD WHEEL (24T) (L/LC)	1
	IVJ-17231-00-00	UNAVAILABLE IN PRICE BOOK (24T)	1
15	90209-22191-00	WASHER	1
16	93440-25084-00	CIRCLIP	1
17	55U-17241-00-00	GEAR, 4TH WHEEL	1
18	34L-17211-00-00	GEAR, 1ST WHEEL	1
19	90201-20276-00	WASHER, PLATE (1.0T)	1
20	99009-20400-00	CIRCLIP	1
21	93306-30535-00	BEARING	1
22	93306-30535-00	BEARING	1
23	93102-25226-00	OIL SEAL	1
24	5Y1-17471-00-00	PLATE, COVER	1
25	97011-06016-00	BOLT	2
26	93306-00426-00	BEARING	1
27	93834-15080-00	SPROCKET, DRIVE (5Y1-17461-50)	1
28	3Y1-17456-00-00	HOLDER, SPROCKET	1
29	97011-06010-00	BOLT (97002-06010)	2

TURNSIGNAL



Item	Part #	Description	Req
1	5Y1-83310-70-00	FRONT FLASHER LIGHT ASSY 1	2
2	5Y1-83312-00-00	LENS, FLASHER	1
3	256-83311-70-XX	BULB (12V-27W)	1
4	5Y1-83313-00-00	GASKET, FLASHER LENS	1
5	98580-04010-00	SCREW, PAN HEAD	1
6	97701-40530-00	SCREW, TAPPING	1
7	95701-12500-00	NUT, FLANGE	2
8	37A-83330-21-00	REAR FLASHER LIGHT ASSY 1	2
9	5Y1-83312-00-00	LENS, FLASHER	1
10	256-83311-70-XX	BULB (12V-27W)	1
11	5Y1-83313-00-00	GASKET, FLASHER LENS	1
12	98580-04010-00	SCREW, PAN HEAD	1
13	97701-40530-00	SCREW, TAPPING	1
14	95701-12500-00	NUT, FLANGE	2
15	10V-83365-00-00	CAP	2
16	15A-83368-00-00	STAY, FLASHER	1
17	15A-83369-00-00	STAY, FLASHER	1

VALVE



Item	Part #	Description	Req
1	5Y1-12111-00-00	VALVE, INTAKE	2
2	34K-12121-00-00	VALVE, EXHAUST	2
3	5Y1-12113-00-00	SPRING, VALVE INNER	4
4	5Y1-12114-00-00	SPRING, VALVE OUTER	4
5	4H7-12116-00-00	SEAT, VALVE SPRING	4
6	1J7-12119-01-00	SEAL, VALVE STEM	4
7	2F3-12117-00-00	RETAINER, VALVE SPRING	4
8	1J7-12118-00-00	COTTER, VALVE	8
9	34K-12151-00-00	ARM, VALVE ROCKER	1
10	34K-12161-00-00	ARM, VALVE ROCKER 2	1
11	34K-12162-00-00	ARM, VALVE ROCKER 3	1
12	34K-12163-00-00	ARM, VALVE ROCKER 4	1
13	2NX-12146-00-00	SHAFT, ROCKER	1
14	5Y1-12156-00-00	SHAFT, ROCKER	1
15	5Y1-12166-00-00	SHAFT, ROCKER 3	1
16	93210-08521-00	O-RING	2
17	90110-06138-00	BOLT, HEX SOCKET HEAD	2
18	3Y1-12159-00-00	SCREW, VALVE ADJ	4
19	90170-06128-00	NUT	4
20	90206-12074-00	WASHER, WAVE	4